

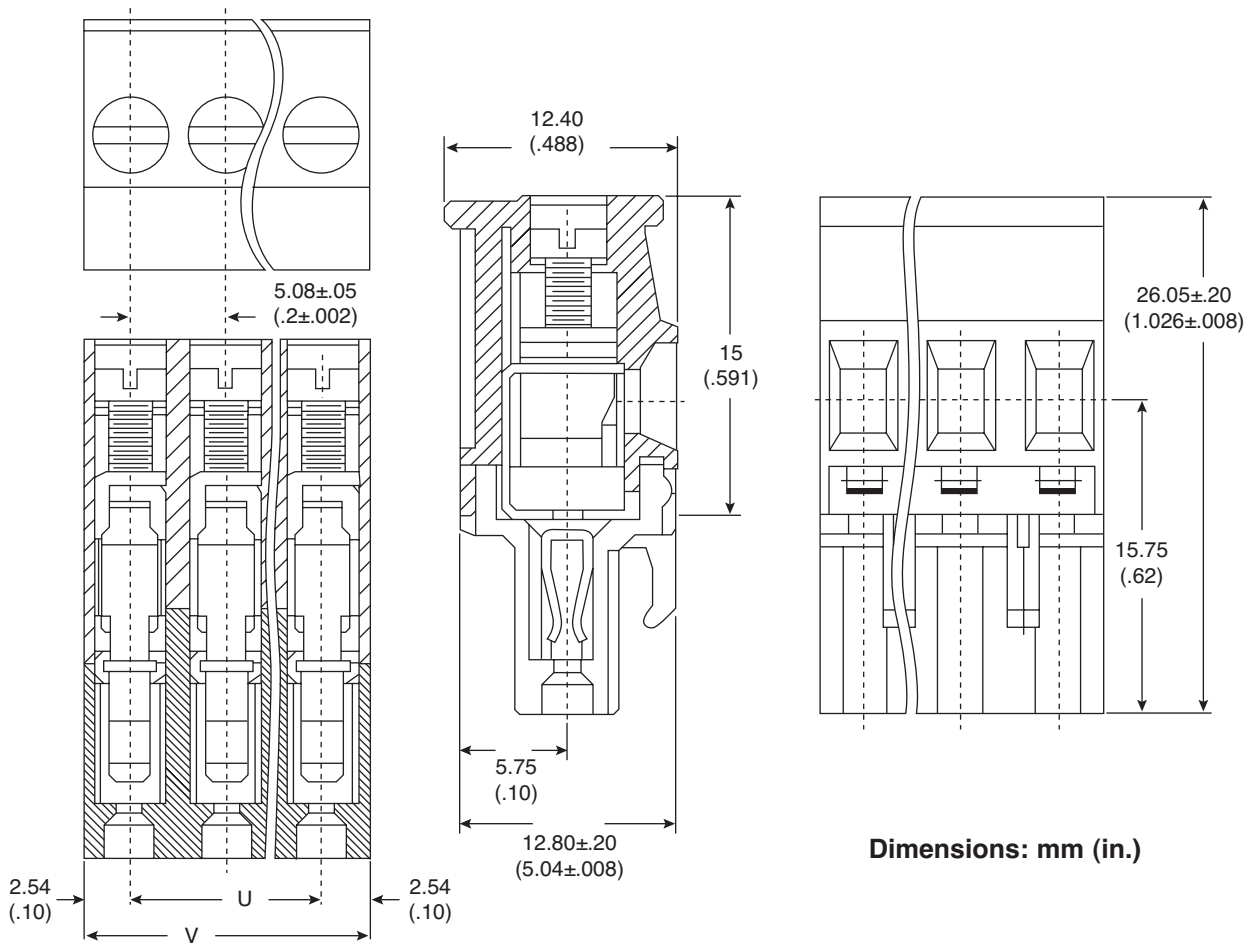
Terminal Block Plugs

KOBI **CONN**

158-P022ESDPP-E, 158-P032ESDPP-E, 158-P042ESDPP-E, 158-P052ESDPP-E,
158-P062ESDPP-E, 158-P072ESDPP-E, 158-P082ESDPP-E, 158-P092ESDPP-E,
158-P102ESDPP-E, 158-P112ESDPP-E, 158-P122ESDPP-E

Terminal Block Plugs

158-P022ESDPP-E, 158-P032ESDPP-E, 158-P042ESDPP-E, 158-P052ESDPP-E, 158-P062ESDPP-E, 158-P072ESDPP-E,
158-P082ESDPP-E, 158-P092ESDPP-E, 158-P102ESDPP-E, 158-P112ESDPP-E, 158-P122ESDPP-E



Dimensions: mm (in.)

P	02P	03P	04P	05P	06P	07P	08P	09P	10P	11P	12P
U mm	5.08	10.16	15.24	20.32	25.40	30.48	35.56	40.64	45.72	50.80	55.88
V mm	10.16	15.24	20.32	25.40	30.48	35.56	40.64	45.72	50.80	55.88	60.96

ELECTRICAL SPECIFICATIONS	
Rating:	300V 15A
Pitch:	5.08 mm
Insulation withstands voltage:	AC 2000V/Min
Insulation resistance:	500MΩ or more at DC500V
Temperature range:	-40°C~ +105°C
Screw torque value:	4kg-cm(MAX)
Electric Wire:	30~12 AWG

MATERIAL SPECIFICATIONS	
Base Housing:	PA66, green
Clamp:	bronze, solder plated
Screw:	steel, M2.5 zinc plated
Wire cage:	steel M2.5 zinc plated
Top Housing:	PA66, green
RoHS Compliant	

Date Last Revised: 4-13-07

Available from Mouser Electronics
1-800-346-6873 / www.mouser.com

KC- 301125

Specifications are subject to change without notice. No liability or warranty implied by this information. Environmental compliance based on producer documentation.