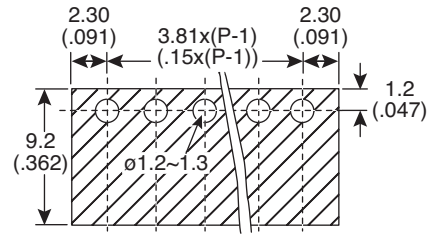
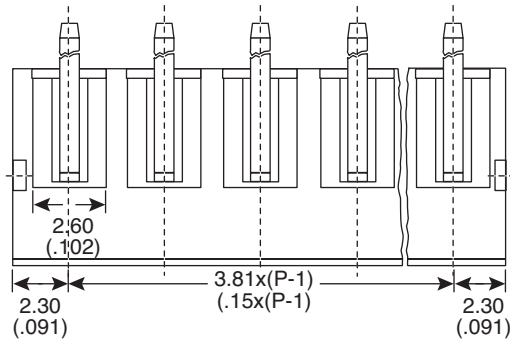


# Terminal Blocks

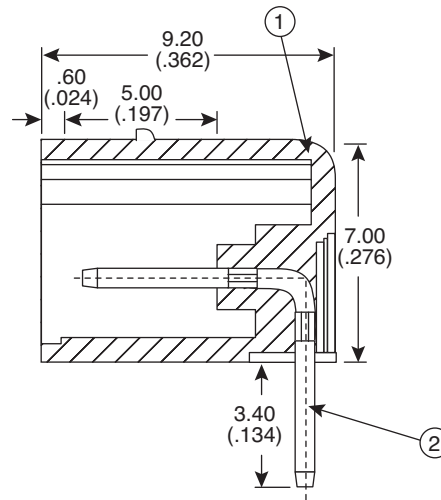
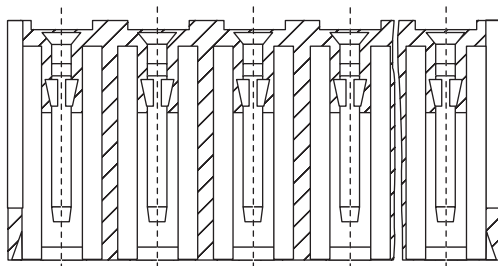
158-P02ECH381RH-E, 158-P03ECH381RH-E, 158-P04ECH381RH-E,  
 158-P05ECH381RH-E, 158-P06ECH381RH-E, 158-P07ECH381RH-E,  
 158-P08ECH381RH-E, 158-P09ECH381RH-E, 158-P10ECH381RH-E,  
 158-P11ECH381RH-E, 158-P12ECH381RH-E

# KOBI CONN

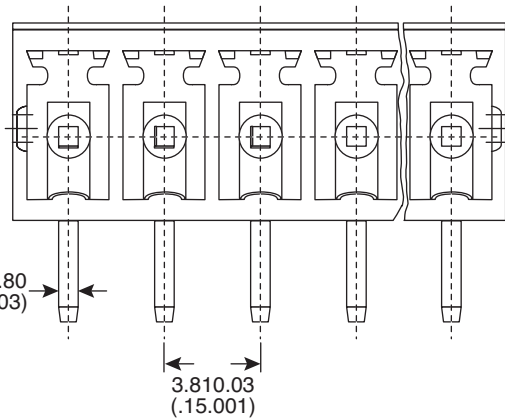
Terminal Blocks



P.C.B. LAYOUT



SECTION A-A



Dimensions: mm (in.)

## MATERIAL SPECIFICATIONS

2	Solder pin:	Copper, Tin plated
1	Housing:	PBT, Green
RoHS Compliant		

## SPECIFICATIONS

Rating:	300V 8A
Pitch:	3.81mm
Insulation withstand voltage:	AC 1000 V/min.
Insulation resistance:	1000MΩ at 500VDC
Temperature range:	-40°C ~ +130°C

Date Last Revised: 3-7-07

Available from Mouser Electronics  
 1-800-346-6873 / www.mouser.com

KC-301017

Specifications are subject to change without notice. No liability or warranty implied by this information. Environmental compliance based on producer documentation.

158-P02ECH381RH-E, 158-P03ECH381RH-E, 158-P04ECH381RH-E, 158-P05ECH381RH-E,  
 158-P06ECH381RH-E, 158-P07ECH381RH-E, 158-P08ECH381RH-E, 158-P09ECH381RH-E,  
 158-P10ECH381RH-E, 158-P11ECH381RH-E, 158-P12ECH381RH-E