

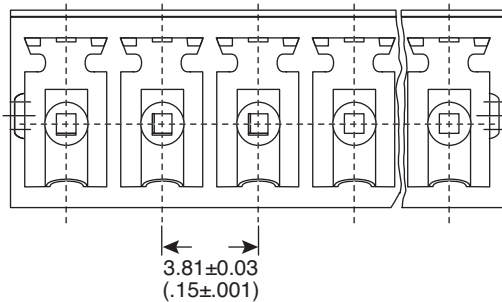
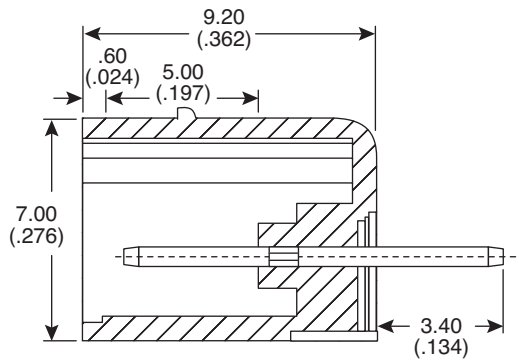
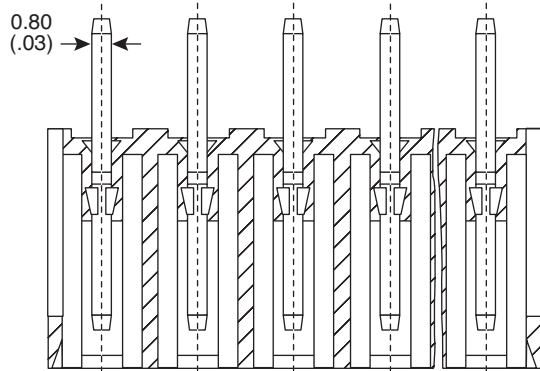
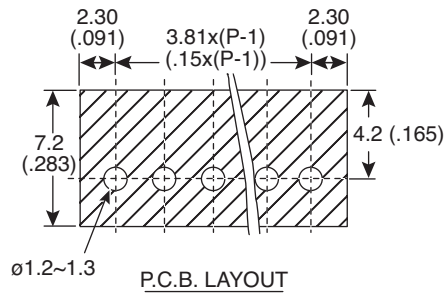
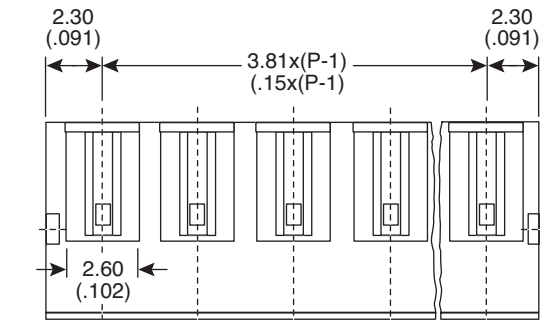
Terminal Blocks

158-P02ECH381VH-E, 158-P03ECH381VH-E, 158-P04ECH381VH-E, 158-P05ECH381VH-E,
158-P06ECH381VH-E, 158-P07ECH381VH-E, 158-P08ECH381VH-E, 158-P09ECH381VH-E,
158-P10ECH381VH-E, 158-P11ECH381VH-E, 158-P12ECH381VH-E



Terminal Blocks

158-P02ECH381VH-E, 158-P03ECH381VH-E, 158-P04ECH381VH-E, 158-P05ECH381VH-E, 158-P06ECH381VH-E, 158-P07ECH381VH-E,
158-P08ECH381VH-E, 158-P09ECH381VH-E, 158-P10ECH381VH-E, 158-P11ECH381VH-E, 158-P12ECH381VH-E



Dimensions: mm (in.)

SPECIFICATIONS

Rating:	300V 8A
Pitch:	3.81 mm
Insulation Withstand Voltage:	1000 VAC min.
Insulation Resistance:	1000 MΩ or more @ 500VDC
Temperature Range:	-40°C ~ +130°C
Solder Pin:	Copper, tin plated
Housing:	PBT, green

RoHS Compliant

Date Last Revised: 4-13-07

Available from Mouser Electronics
1-800-346-6873 / www.mouser.com

KC- 301126

Specifications are subject to change without notice. No liability or warranty implied by this information. Environmental compliance based on producer documentation.