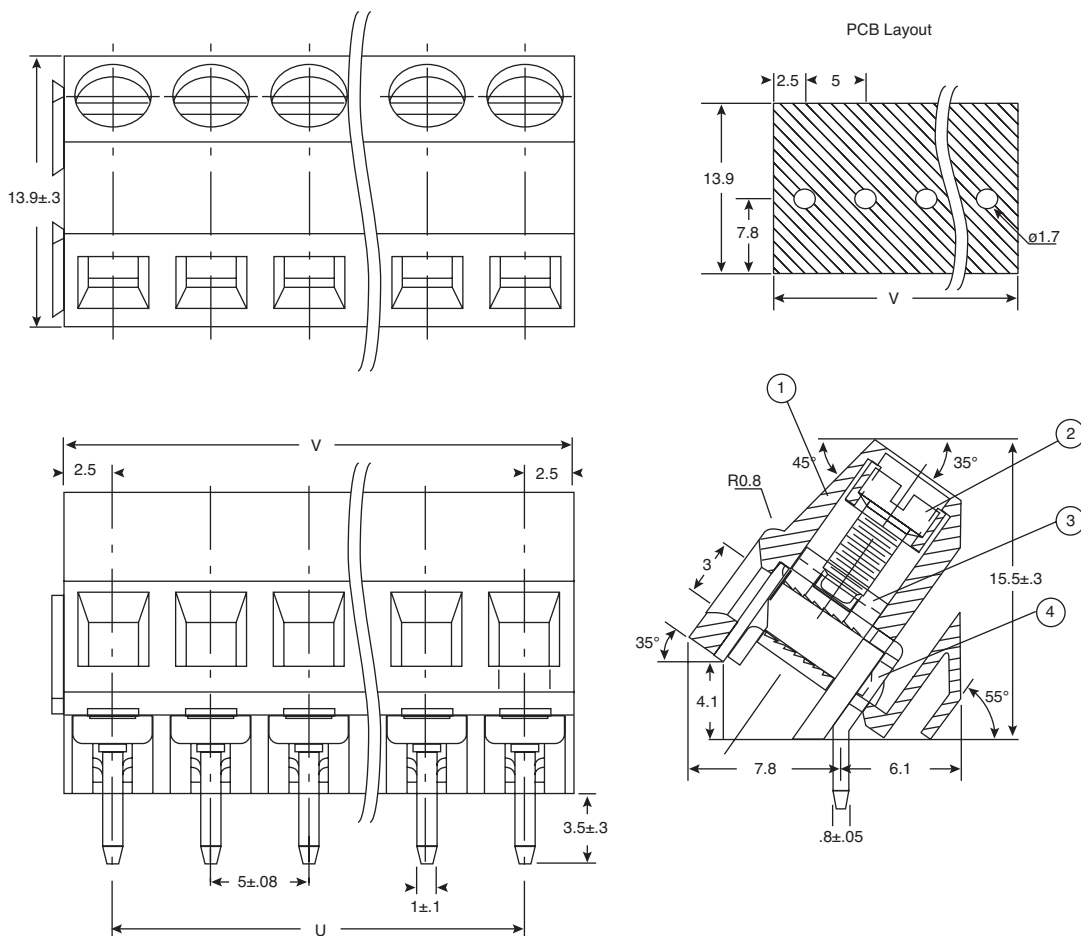


# Terminal Blocks

158-P02EK500A2-E, 158-P02EK500A3-E



Terminal Blocks



Dimensions: mm

158-P02EK500A2-E, 158-P02EK500A3-E

ELECTRICAL SPECIFICATIONS	
Rating:	300V 20A
Pitch:	5mm
Insulation	AC 1500 V/min
Withstands Voltage:	4A
Insulation Resistance	4A
Temp Range	-40°C~+105°C
Screw Torque Value	4Kgf-cm
Wire Gauge :	12-24 AWG

MECHANICAL SPECIFICATIONS	
Part	Material
1 - Housing:	PA66(V2) - Green
2 - Screw:	Steel - M2.5/Zn Plated
3 - Wire Cage:	Steel - M2.5/Zn Plated
4 - Solder Pin:	Copper - Tin Plated

Date Last Revised: 10-18-06

Available from Mouser Electronics  
1-800-346-6873  
www.mouser.com

KC-301077