

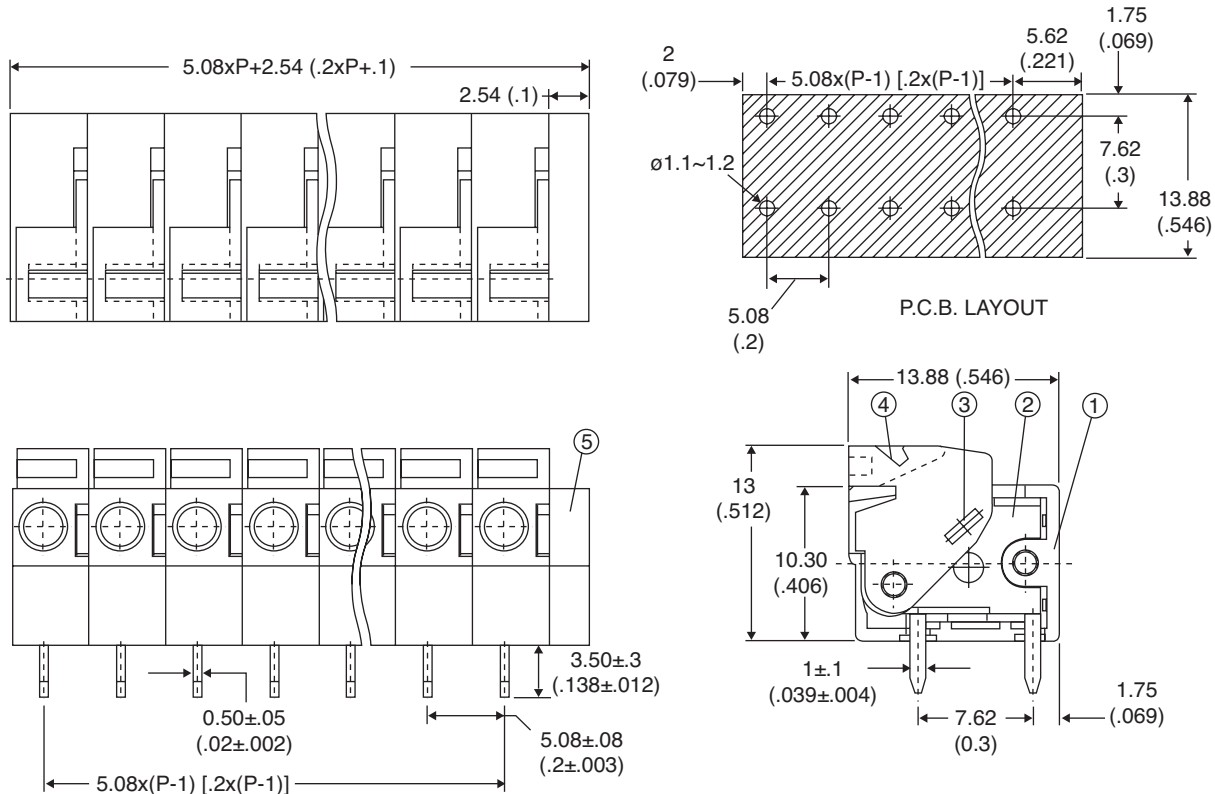
# Terminal Blocks

158-P02142RPU-E, 158-P03142RPU-E, 158-P04142RPU-E, 158-P05142RPU-E,  
 158-P06142RPU-E, 158-P07142RPU-E, 158-P08142RPU-E, 158-P09142RPU-E,  
 158-P10142RPU-E, 158-P11142RPU-E, 158-P12142RPU-E



Terminal Blocks

158-P02142RPU-E, 158-P03142RPU-E, 158-P04142RPU-E, 158-P05142RPU-E, 158-P06142RPU-E, 158-P07142RPU-E,  
 158-P08142RPU-E, 158-P09142RPU-E, 158-P10142RPU-E, 158-P11142RPU-E, 158-P12142RPU-E



Dimensions: mm (In.)

ELECTRICAL SPECIFICATIONS	
Rating:	300V 10A
Pitch:	5.08 mm
Insulation withstands voltage:	AC 1500V/Min
Insulation resistance:	500MΩ or more at DC500V
Temperature range:	-40°C~ +105°C
Electric wire:	22~14 AWG

MATERIAL SPECIFICATIONS	
End Cover (5):	PA66, Green
Lever (4):	PA66, Orange
Clamping (3):	Stainless Steel
Solder Pin (2):	Copper, Tin Plated
Housing (1):	PA66, Green
RoHS Compliant	

Date Last Revised: 7-17-06

Available from Mouser Electronics  
 1-800-346-6873  
 www.mouser.com

KC- 301019