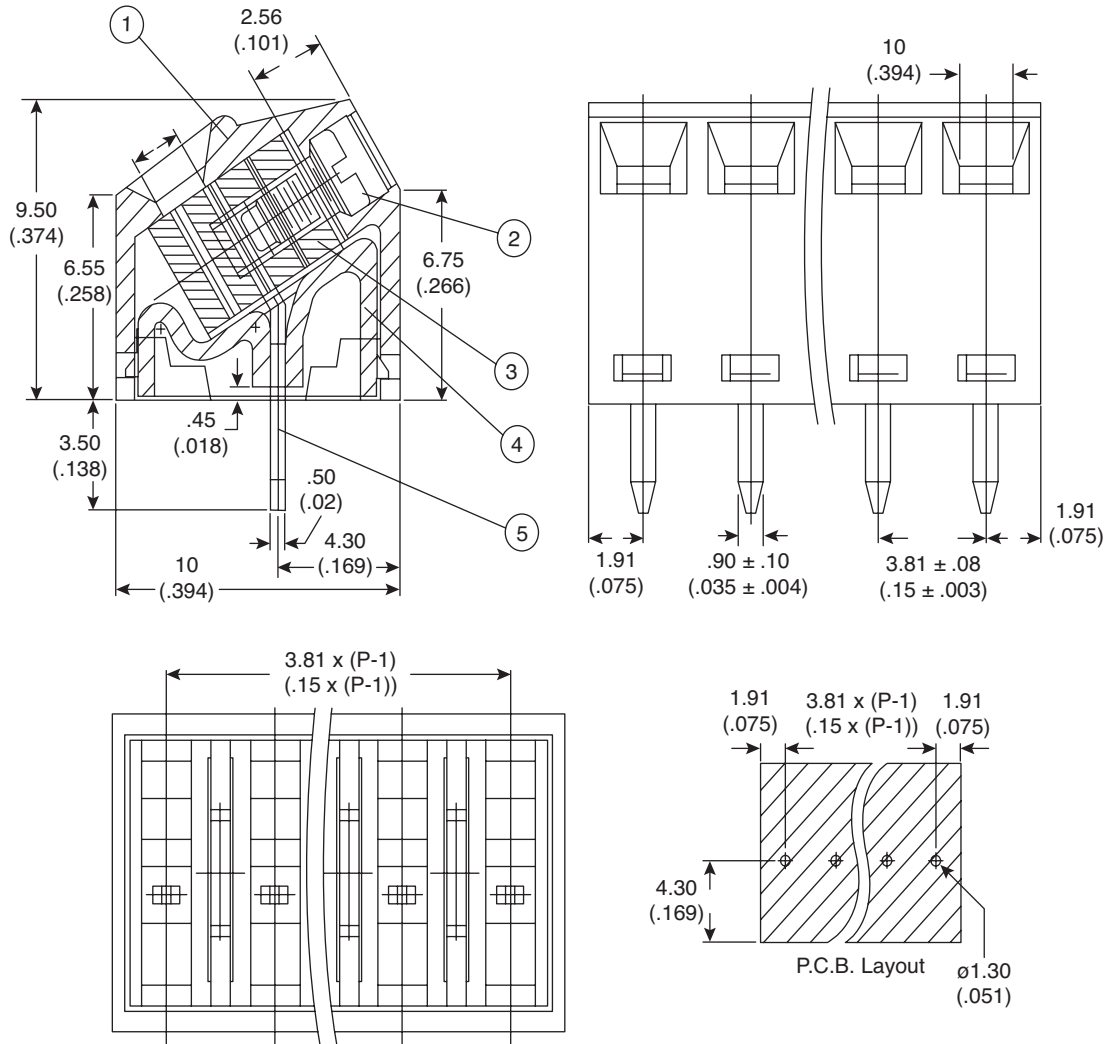


# Terminal Blocks

158-P02EK381A2-E, 158-P02EK381A3-E, 158-P02EK381A4-E,  
 158-P02EK381A5-E, 158-P02EK381A6-E, 158-P02EK381A7-E,  
 158-P02EK381A8-E, 158-P02EK381A9-E, 158-P02EK381A10-E,  
 158-P02EK381A11-E, 158-P02EK381A12-E



Terminal Blocks



Dimensions: mm (In.)

## ELECTRICAL SPECIFICATIONS

<b>Rating:</b>	300V 13.5A
<b>Pitch:</b>	3.81 mm
<b>Insulation withstands voltage:</b>	AC 2500 V/Min
<b>Insulation resistance:</b>	500MΩ or more at DC500V
<b>Temperature range:</b>	-40°C ~ +105°C
<b>Screw torque value:</b>	0.22 ~ 0.25N.M
<b>Electric wire:</b>	30 ~ 16 AWG

## MATERIAL SPECIFICATIONS

<b>Solder pin:</b>	bronze, tin plated
<b>Cover:</b>	PA66, green
<b>Wire cage:</b>	steel, M2/Ni plated
<b>Screw:</b>	Steel, M2/Zn plated
<b>Housing:</b>	PA66, green
<b>RoHS Compliant</b>	

Date Last Revised: 3-7-07

**Available from Mouser Electronics**  
 1-800-346-6873  
 www.mouser.com

KC- 301118

158-P02EK381A-E Series

Specifications are subject to change without notice. No liability or warranty implied by this information. Environmental compliance based on producer documentation.