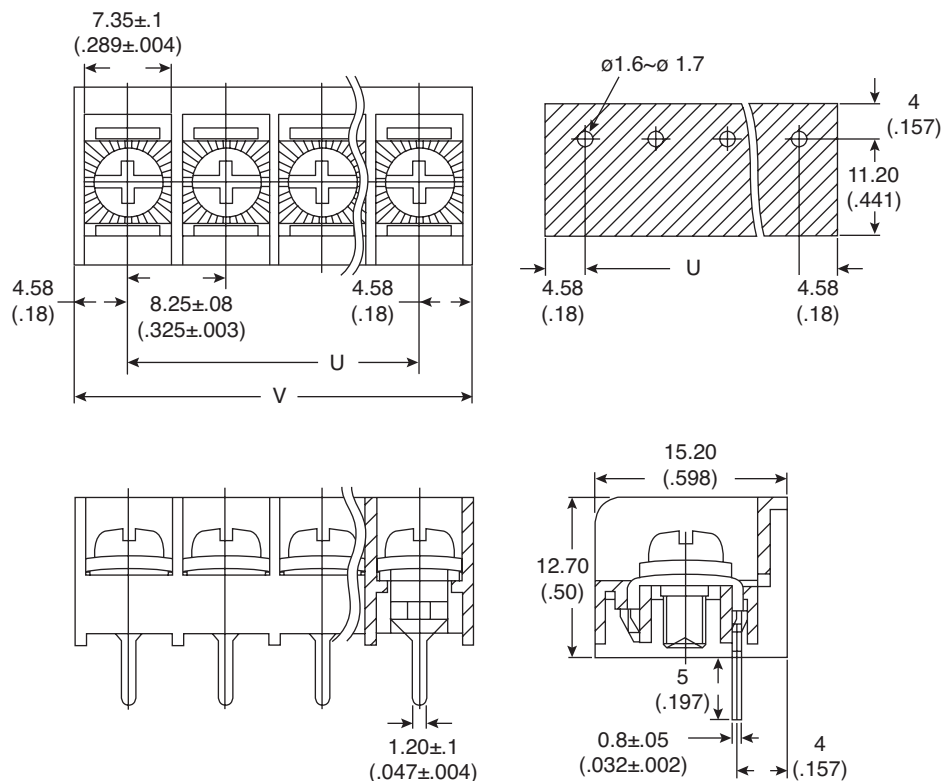


Terminal Block Tri-Barriers

158-P02DT39B-E, 158-P03DT39B-E, 158-P04DT39B-E, 158-P05DT39B-E,
158-P06DT39B-E, 158-P07DT39B-E, 158-P08DT39B-E, 158-P09DT39B-E,
158-P10DT39B-E, 158-P11DT39B-E, 158-P12DT39B-E



Terminal Block Tri-Barriers



Dimensions: mm (in.)

P	02P	03P	04P	05P	06P	07P	08P	09P	10P	11P	12P
U mm	8.25	16.5	24.75	33.0	41.25	49.5	57.75	66.0	74.25	82.5	90.75
V mm	17.4	25.65	33.9	42.15	50.4	58.65	66.9	75.15	83.4	91.65	99.9

ELECTRICAL SPECIFICATIONS	
Rating:	300V 20A
Pitch:	8.25 mm
Insulation withstands voltage:	AC 2000V/Min
Insulation resistance:	500M Ω or more at DC500V
Temperature range:	-40°C~ +105°C
Screw torque value:	10kg-cm
Electric wire:	22~12 AWG

MATERIAL SPECIFICATIONS	
Screw:	steel, Ni plated 6 -32UNC
Solder pin:	brass, Tin plated, 0.8t
Housing:	PA66, black
RoHS Compliant	

Date Last Revised: 03/08/07

Available from Mouser Electronics
1-800-346-6873 / www.mouser.com

KC-301120

Specifications are subject to change without notice. No liability or warranty implied by this information. Environmental compliance based on producer documentation.

158-P02DT39B-E, 158-P03DT39B-E, 158-P04DT39B-E, 158-P05DT39B-E, 158-P06DT39B-E,
158-P07DT39B-E, 158-P08DT39B-E, 158-P09DT39B-E, 158-P10DT39B-E, 158-P11DT39B-E,
158-P12DT39B-E