

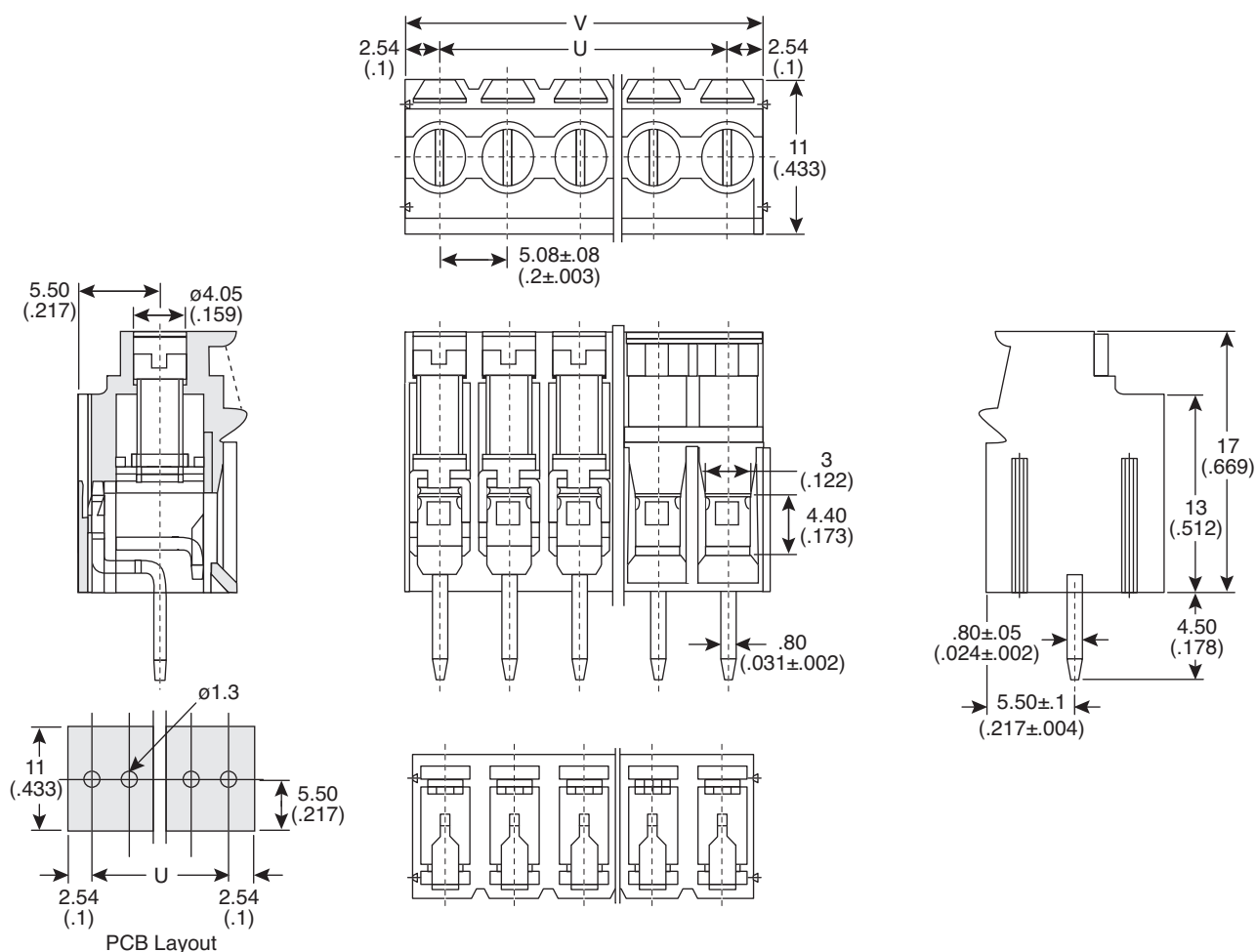
# Terminal Blocks

158-P02ESK508V2-E, 158-P02ESK508V3-E



Terminal Blocks

158-P02ESK508V2-E, 158-P02ESK508V3-E



Dimensions: mm (in.)

P	02P	03P
U	5.08	10.16
V	10.16	15.24

## MATERIAL SPECIFICATIONS

<b>Solder pin:</b>	Copper, Tin plated
<b>Screw:</b>	Steel, Zinc plated
<b>Wire cage:</b>	Steel, Zinc plated
<b>Housing:</b>	PA66, Green
<b>RoHS Compliant</b>	

## ELECTRICAL SPECIFICATIONS

<b>Rating:</b>	300V 23A
<b>Pitch:</b>	5.08 mm
<b>Insulation withstand voltage:</b>	2000V/Min.
<b>Insulation resistance:</b>	500M $\Omega$ or more at DC500V
<b>Temperature range:</b>	-40°C~+105°C
<b>Screw torque value:</b>	8kgf-cm (Max)
<b>Electric wire:</b>	AWG 26~12

Date Last Revised: 02-03-10

Available from Mouser Electronics  
1-800-346-6873  
www.mouser.com

KC- 301119

Specifications are subject to change without notice. No liability or warranty implied by this information. Environmental compliance based on producer documentation.