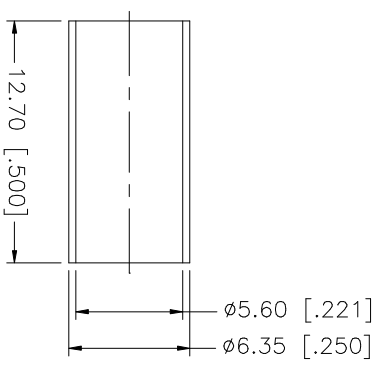
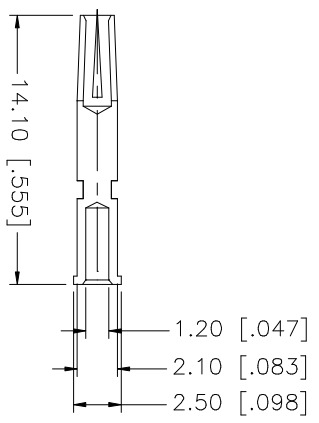
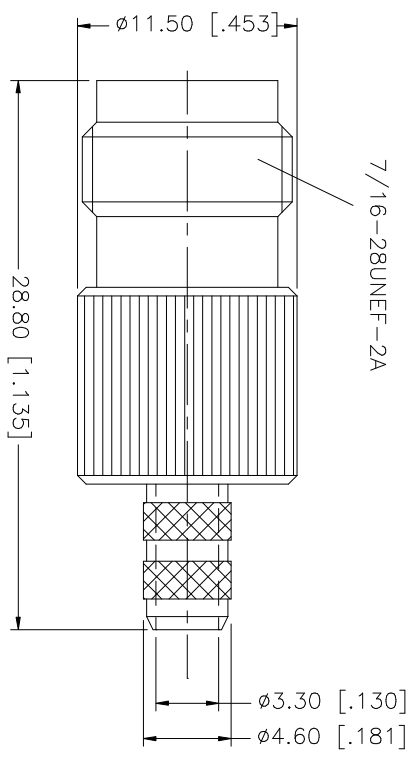
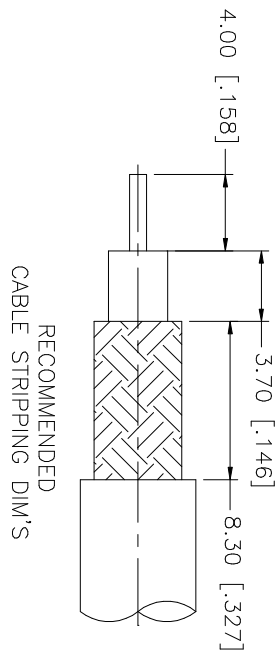


REV.	DATE	DESCRIPTION
NC	07/28/98	INITIAL RELEASE
A	08/04/05	UPDATE DRAWING FORMAT



NO.	DESCRIPTION	MATERIAL	FINISH	QTY	UNLESS OTHERWISE SPECIFIED DIMENSIONS ARE IN MILLIMETERS DIMENSIONS IN [ ] ARE IN INCHES AND FOR CUSTOMER REFERENCE ONLY.	UNLESS OTHERWISE SPECIFIED TOLERANCES FOR MILLIMETERS ARE:	UNLESS OTHERWISE SPECIFIED TOLERANCES FOR INCHES ARE:	APPROVALS	DATE	PART DESCRIPTION								
8						0.5 - 8mm ± 0.20mm	.020 - .315 = ± 0.007"	DRAWN	G.R.S.	08/04/05	<p style="text-align: center;"><b>Amphenol Connex</b></p> <p style="text-align: center;">TNC CRIMP JACK (FOR LMR 200 CABLE)</p> <p style="text-align: center;">122412</p>							
7						8 - 30mm ± 0.40mm	.315 - 1.180 = ± 0.015"	CHECKED										
6						30 - 120mm ± 0.50mm	1.180 - 4.724 = ± 0.020"	ISSUED										
5								SHEET	1 OF 1									
4	FERRULE	COPPER	NICKEL	1				CAD FILE	C:/122/122412.DWG	DWG. NO.		122412.DWG	REV.	A	SIZE	A	SCALE	NA
3	CONTACT PIN	PHOS. BRONZE	GOLD	1														
2	INSULATOR	TEFLON	NATURAL	1														
1	BODY	BRASS	NICKEL	1														
	DESCRIPTION																	