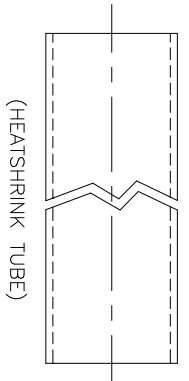
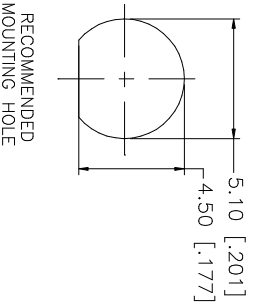
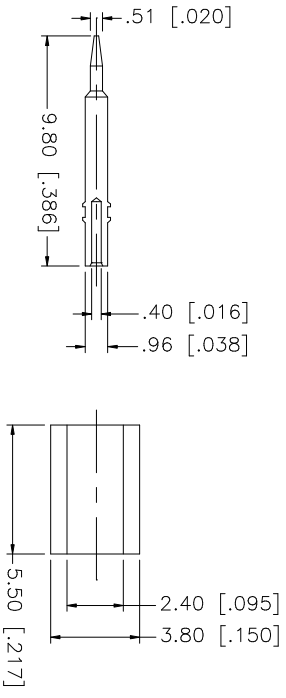
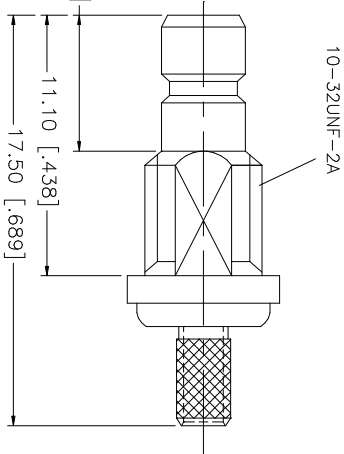
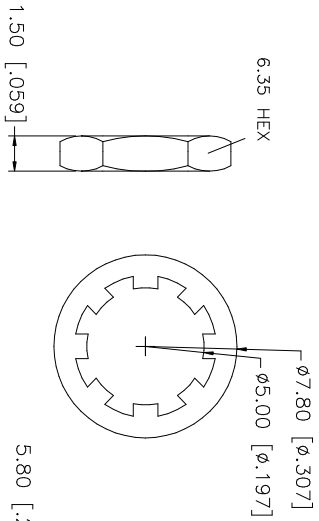
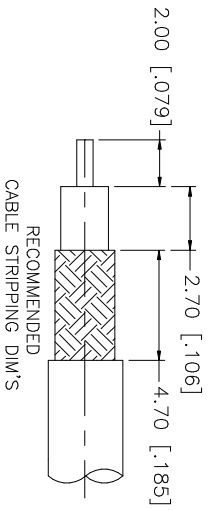


REV.	DATE	DESCRIPTION
NC	09/07/99	INITIAL RELEASE
A	07/21/05	UPDATE DRAWING FORMAT



QTY	FINISH	MATERIAL	DESCRIPTION
1	GOLD	COPPER	HEAT SHRINK TUBE
1	GOLD	BRASS	FERRULE
1	GOLD	BRASS	HEX NUT
1	GOLD	BRASS	LOCK WASHER
1	GOLD	BRASS	CONTACT PIN
1	NATURAL	TEFLON	INSULATOR
1	GOLD	BRASS	BODY

APPROVALS	DATE
DRAWN G.R.S.	07/21/05
CHECKED	
ISSUED	
SHEET 1 OF 1	

DO NOT SCALE DRAWING	UNLESS OTHERWISE SPECIFIED DIMENSIONS ARE IN INCHES AND FOR CUSTOMER REFERENCE ONLY.	UNLESS OTHERWISE SPECIFIED TOLERANCES FOR MILLING ARE:	UNLESS OTHERWISE SPECIFIED TOLERANCES FOR INCHES ARE:
		0.5 - 8mm ± 0.20mm	.020 - .315 = ± 0.007"
		8 - 30mm ± 0.40mm	.315 - 1.180 = ± 0.015"
		30 - 120mm ± 0.50mm	1.180 - 4.724 = ± 0.020"

CAD FILE	DWG. NO.	REV.	SIZE	SCALE
C:/142/142231.DWG	1421231.DWG	A	A	NA

PART DESCRIPTION	PART NO.
SMB BULKHEAD CRIMP JACK (FOR RG-178B/U, 196A/U CABLE)	142231

Amphenol Connex