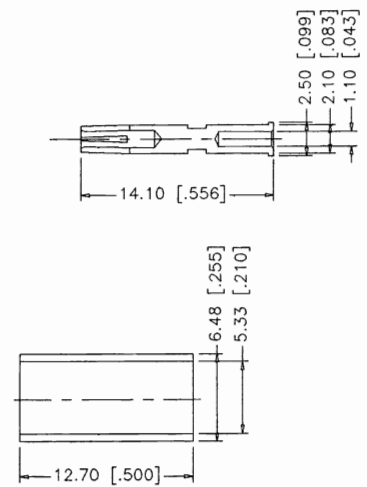
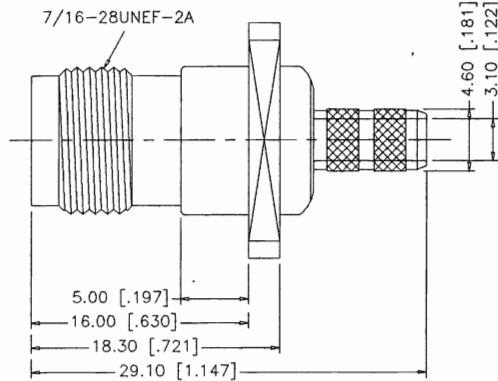
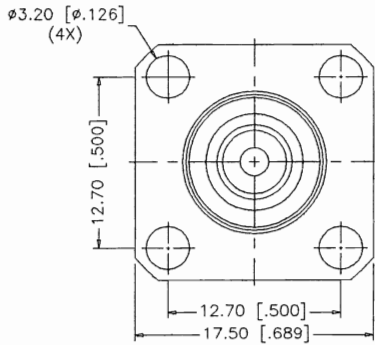
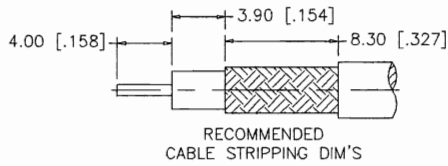



REV.	DATE	DESCRIPTION
NC	07/19/99	INITIAL RELEASE



DESCRIPTION	MATERIAL	FINISH	UNLESS OTHERWISE SPECIFIED DIMENSIONS ARE IN MILLIMETERS	APPROVALS	DATE	 Connex Connector Corporation				
1	BODY	BRASS	NICKEL	DRAWN	G.R.S.	07/19/99	TNC CRIMP PANEL JACK (FOR RG 58/U CABLE)			
2	INSULATOR	TEFLON	NATURAL	CHECKED						
3	CONTACT PIN	PHOS. BRONZE	GOLD	ISSUED			SIZE	FSCM NO.	DWG. NO.	REV.
4	FERRULE	COPPER	NICKEL				A	99001	122230.DWG	NC
5							SCALE	PART NO.	SHEET	
6							NA	122230	1 OF 1	
7										
8			DO NOT SCALE DRAWING							

UNLESS OTHERWISE SPECIFIED
DIMENSIONS IN [] ARE IN INCHES
FOR CUSTOMER REFERENCE ONLY

UNLESS OTHERWISE SPECIFIED
TOLERANCES FOR MILLIMETERS ARE:

0.5-6	± 0.2
6-30	± 0.4
30-120	± 0.8
120-315	± 1
315-1000	± 1.6
1000-2000	± 2.4