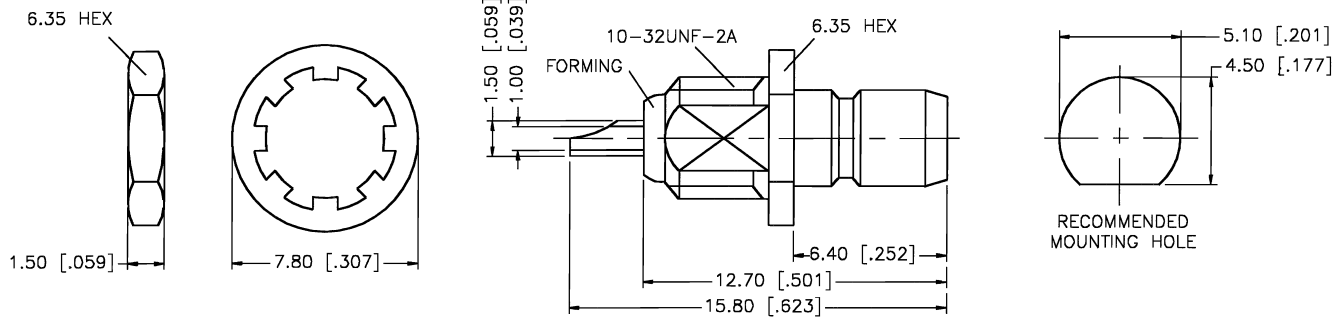



REV.	DATE	DESCRIPTION
NC	06/11/00	INITIAL RELEASE



DESCRIPTION	MATERIAL	FINISH	UNLESS OTHERWISE SPECIFIED DIMENSIONS ARE IN MILLIMETERS	APPROVALS	DATE				
1 BODY	BRASS	GOLD	DIMENSIONS IN [] ARE IN INCHES FOR CUSTOMER REFERENCE ONLY	DRAWN G.R.S.	06/11/00				
2 INSULATOR	TEFLON	NATURAL		CHECKED					
3 CONTACT PIN	BRASS	GOLD	UNLESS OTHERWISE SPECIFIED TOLERANCES FOR MILLIMETERS ARE:	ISSUED		TITLE SMB BULKHEAD RECEPTACLE JACK MINI - 75ohms			
4 LOCK WASHER	BRASS	GOLD	0.5-6 = ± 0.2			SIZE A	FSCM NO. 99001	DWG. NO. 142150-75.DWG	REV. NC
5 HEX NUT	BRASS	GOLD	6-30 = ± 0.4			SCALE NA	PART NO. 142150-75	SHEET 1 OF 1	
6			30-120 = ± 0.6						
7			120-315 = ± 1						
8			315-1000 = ± 1.6						
			1000-2000 = ± 2.4						
			DO NOT SCALE DRAWING						