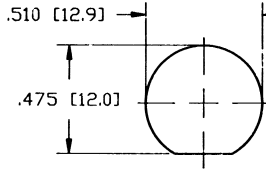
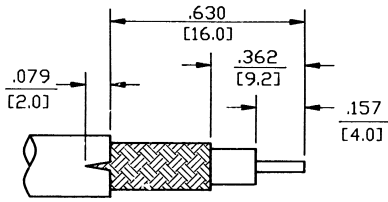


DO NOT SCALE THIS DRAWING

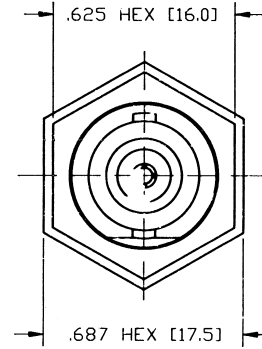
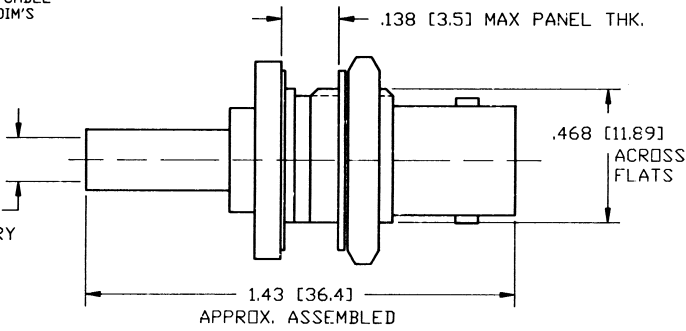
31-245-RFX
DRAWING NUMBER

REVISIONS

SYM	DESCRIPTION	DATE	E.C.O. NO.	APPR.
A	OFFICIAL ENG. RELEASE TO MFG.	10/2/91	38063	DR



RECOMMENDED CABLE STRIPPING DIM'S



NOTES:

1. BRASS BODY, NICKEL PLATED.
2. DELRIN INSULATOR.
3. GOLD PLATED, PHOSPHOR BRONZE CONTACT, .000003.
4. PACKAGE IN BAG 999-311.
5. USE AMPHENOL CRIMP TOOL #CTL-2
6. NON-CAPTIVATED CONTACT, .016 WIRE ENTRY.
7. 3 PC. (BODY, FERRULE, CONTACT).

ENGLISH [METRIC]

H:\DEPT611\BNC\031\ASSY\245RFX

PART NO	QUAN	UOM	FIN	DESCRIPTION	CODE	FINISH
LIST OF MATERIAL						

<p>UNLESS OTHERWISE SPECIFIED DIMENSIONS ARE IN INCHES TOLERANCES NOT OTHERWISE SPECIFIED ARE</p> <p>2 PLACE DECIMAL ± .015 (0.381 mm)</p> <p>3 PLACE DECIMAL ± .005 (0.127 mm)</p> <p>ANGLES ± 1°</p> <p>REFERENCE DRAWING NO EAR 962370</p>	<p>DRAWN BY TERRI ALBERA</p> <p>DATE 4-22-91</p>	<p>TITLE BNC CRIMP CRIMP PANEL JACK FOR RG-179, 187 CABLE 50 OHM</p> <p>Amphenol Corporation RF/Microwave Operations Danbury, Conn. U.S.A.</p>
	<p>CHECKED [Signature]</p> <p>DATE 10-13-91</p>	
	<p>ENGINEER [Signature]</p> <p>DATE 10-13-91</p>	
	<p>QUALITY ASSURANCE [Signature]</p> <p>DATE 10-13-91</p>	
<p>MFG ENG [Signature]</p> <p>DATE 10-13-91</p>	<p>CODE IDENTIFICATION 74868</p> <p>DRAWING SIZE B</p> <p>DRAWING NO 31-245-RFX</p>	<p>SCALE NTS</p> <p>SHEET OF</p> <p>ISSUE A</p>

ALL CORNERS BREAK CORNERS UNLESS OTHERWISE SPECIFIED.

Drawings, specifications or other data are the property of Amphenol Corporation and shall remain the property of Amphenol Corporation. All rights reserved. No part of this drawing, specification or other data may be reproduced, stored in a retrieval system, or transmitted in any form or by any means, electronic, mechanical, photocopying, recording, or otherwise, without the prior written permission of Amphenol Corporation.