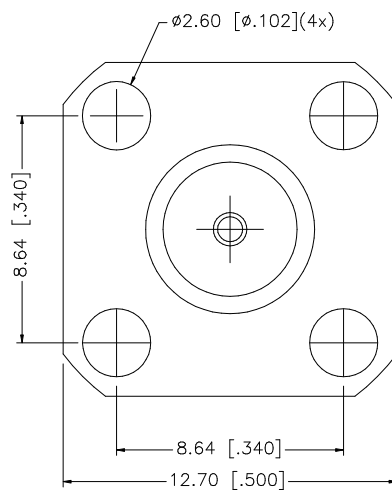
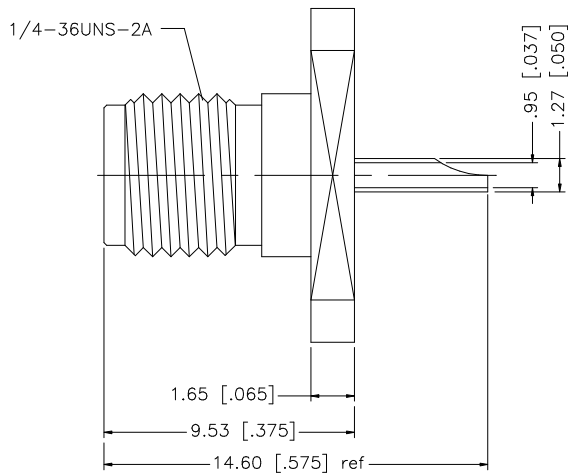


REV.	DATE	DESCRIPTION
NC	09/24/06	INITIAL RELEASE



8				<small>UNLESS OTHERWISE SPECIFIED DIMENSIONS ARE IN MILLIMETERS. DIMENSIONS IN [] ARE IN INCHES AND FOR CUSTOMER REFERENCE ONLY.</small> <small>UNLESS OTHERWISE SPECIFIED TOLERANCES FOR MILLIMETERS ARE:</small> 0.5 - 8mm ± 0.20mm 8 - 30mm ± 0.40mm 30 - 120mm ± 0.50mm <small>UNLESS OTHERWISE SPECIFIED TOLERANCES FOR INCHES ARE:</small> .020 - .315 = ± 0.007" .315 - 1.180 = ± 0.015" 1.180 - 4.724 = ± 0.020" DO NOT SCALE DRAWING	APPROVALS	DATE	<h1 style="color: blue; margin: 0;">Amphenol Connex</h1>		
7					DRAWN	G.R.S.		09/24/06	PART DESCRIPTION
6					CHECKED				
5					ISSUED				PART NO.
4					SHEET	1 OF 1			
3	CONTACT PIN	BER. COPPER	GOLD		1				DWG. NO. 132142.DWG
2	INSULATOR	TEFLON	NATURAL		1				
1	BODY	BRASS	GOLD		1				SIZE A
	DESCRIPTION	MATERIAL	FINISH	QTY			SCALE NA		