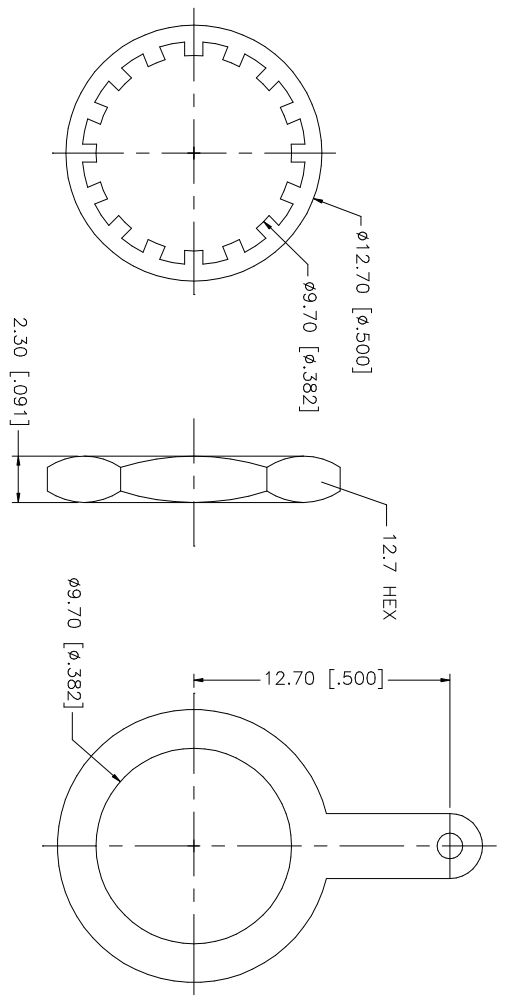
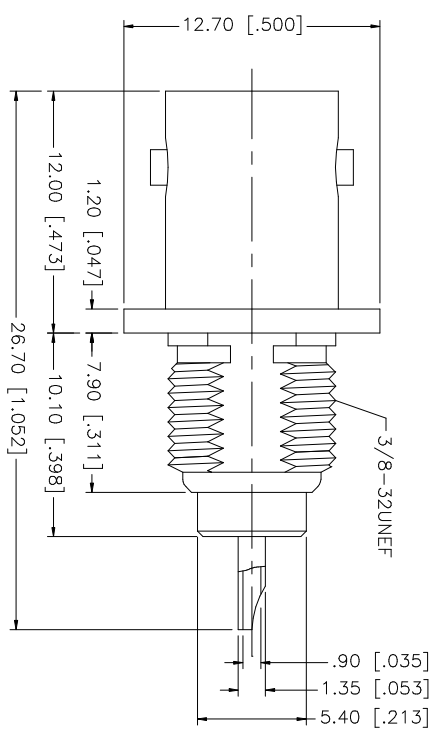
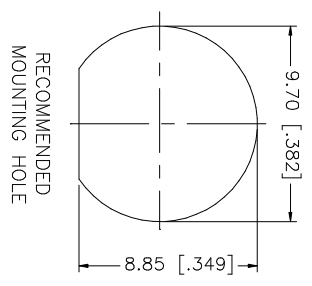


REV.	DATE	DESCRIPTION
NC	03/21/03	INITIAL RELEASE



QTY	FINISH	MATERIAL	DESCRIPTION
1	NICKEL	BRASS	SOLDER TAB
1	NICKEL	BRASS	HEX NUT
1	NICKEL	BRASS	LOCK WASHER
1	NATURAL	DELRIN	INSULATOR
1	GOLD	PHOS. BRONZE	CONTACT PIN
1	NICKEL	BRASS	BODY
			DESCRIPTION

APPROVALS	DATE
DRAWN G.R.S.	03/21/03
CHECKED	
ISSUED	

PART NO.	DESCRIPTION
112425	BNC BULKHEAD RECEPTACLE - 75 ohms

DO NOT SCALE DRAWING	CAD FILE	DWG. NO.	REV.	SIZE	SCALE
	C:/112/112425.DWG	112425.DWG	NC	A	NA

**Amphenol Connex**