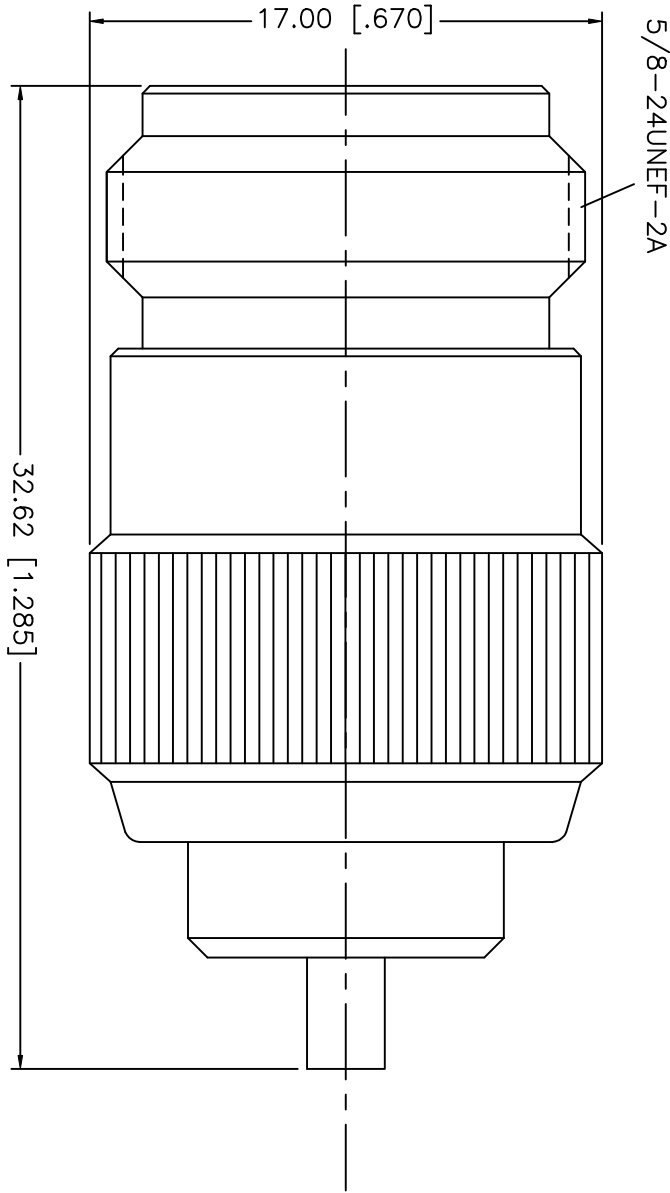


REV.	DATE	DESCRIPTION
NC	09/26/02	INITIAL RELEASE



8				UNLESS OTHERWISE SPECIFIED DIMENSIONS ARE IN MILLIMETERS		APPROVALS		DATE	TITLE		
7				DIMENSIONS IN [] ARE IN INCHES FOR CUSTOMER REFERENCE ONLY		DRAWN G.R.S.		09/26/02	N JACK TO MMCX JACK ADAPTOR		
6						CHECKED			Amphenol - Connex CONNECTOR CORPORATION		
5						ISSUED			SIZE FSCM NO. DWG. NO. REV.		
4									A 99001 242168.DWG NC		
3	CONTACT PIN	PHOS. BRONZE	GOLD	UNLESS OTHERWISE SPECIFIED TOLERANCES FOR INCHES ARE: .XXX = ± 0.005" .XX = ± 0.010" .X = ± 0.020"					SCALE NA PART NO. 242168 SHEET 1 OF 1		
2	INSULATOR	TEFLON	NATURAL								
1	BODY	BRASS	NICKEL								
	DESCRIPTION	MATERIAL	FINISH	DO NOT SCALE DRAWING							