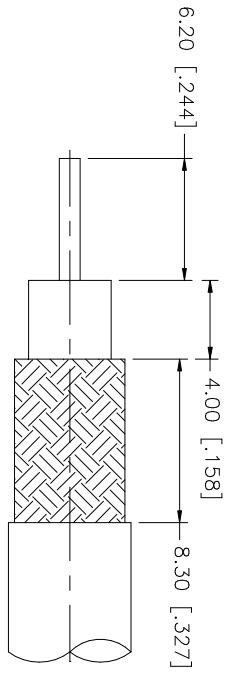
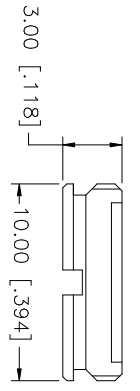
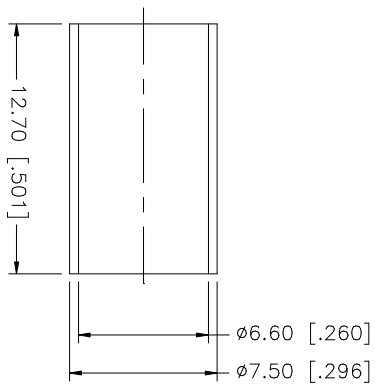
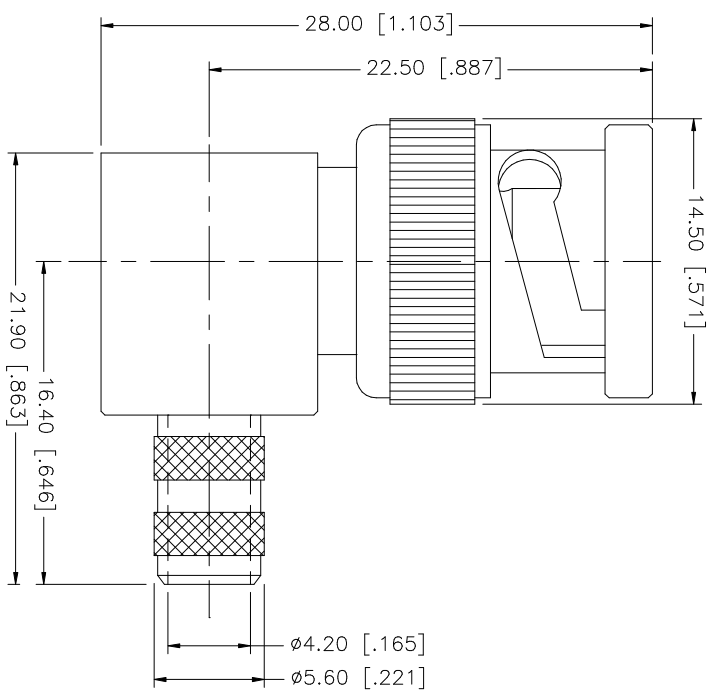


REV.	DATE	DESCRIPTION
NC	08/18/98	INITIAL RELEASE
A	07/25/05	UPDATE DRAWING FORMAT



RECOMMENDED
CABLE STRIPPING DIM'S

QTY	FINISH	MATERIAL	DESCRIPTION
1	NICKEL	BRASS	COVER
1	NICKEL	COPPER	FERRULE
1	GOLD	BRASS	CONTACT PIN
1	NATURAL	DELFIN	INSULATOR
1	NICKEL	BRASS	BODY

APPROVALS	DATE
DRAWN G.R.S.	07/25/05
CHECKED	
ISSUED	
SHEET 1 OF 1	

CAD FILE C:/112/112601.DWG		DWG. NO. 112601.DWG	REV. A	SIZE A	SCALE NA
----------------------------	--	---------------------	--------	--------	----------

UNLESS OTHERWISE SPECIFIED DIMENSIONS ARE IN INCHES AND FOR CUSTOMER REFERENCE ONLY.	
TOLERANCES FOR MILLIMETERS ARE:	
0.3 - 8mm	± 0.20mm
8 - 30mm	± 0.40mm
30 - 120mm	± 0.50mm
UNLESS OTHERWISE SPECIFIED DIMENSIONS FOR INCHES ARE:	
.020 - .315	± 0.007"
.315 - 1.180	± 0.015"
1.180 - 4.724	± 0.020"

PART DESCRIPTION	
BNC R/A CRIMP PLUG - LMR 240 CABLE (RG8X CABLE)	
PART NO.	112601

Amphenol Connex	
------------------------	--