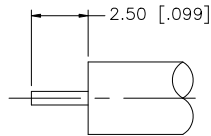
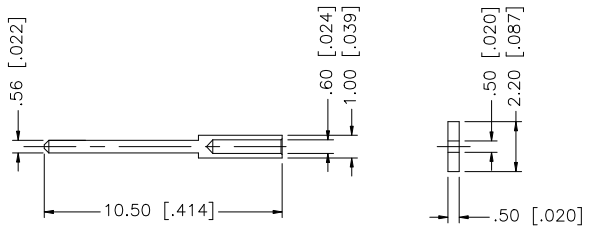
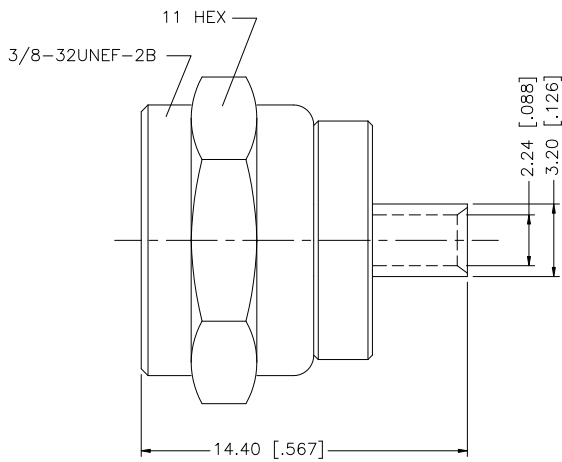


REV.	DATE	DESCRIPTION
A	12/09/03	UPDATE DRAWING FORMAT
B	07/08/07	ADD CABLE DESCRIPTION



RECOMMENDED CABLE STRIPPING DIM'S.

DESCRIPTION	MATERIAL	FINISH	QTY	UNLESS OTHERWISE SPECIFIED DIMENSIONS ARE IN MILLIMETERS. DIMENSIONS IN [ ] ARE IN INCHES AND FOR CUSTOMER REFERENCE ONLY.	APPROVALS	DATE	Amphenol Connex							
8					DRAWN	G.R.S.	07/08/07	<b>F DIRECT SOLDER PLUG (FOR .085" SEMI RIGID CABLE)</b>						
7				UNLESS OTHERWISE SPECIFIED TOLERANCES FOR MILLIMETERS ARE: 0.5 - 8mm ± 0.20mm 8 - 30mm ± 0.40mm 30 - 120mm ± 0.50mm	CHECKED		PART DESCRIPTION							
6				UNLESS OTHERWISE SPECIFIED TOLERANCES FOR INCHES ARE: .020 - .315 = ± 0.007" .315 - 1.180 = ± 0.015" 1.180 - 4.724 = ± 0.020"	ISSUED		PART NO.							
5				DO NOT SCALE DRAWING	SHEET	1 OF 1	222115							
4					CAD FILE	C:/222/222115.DWG	DWG. NO.	222115.DWG	REV.	B	SIZE	A	SCALE	NA
3	CONTACT PIN	BRASS	BRT. TIN	1										
2	INSULATOR	TEFLON	NATURAL	1										
1	BODY	BRASS	TIN-LEAD	1										