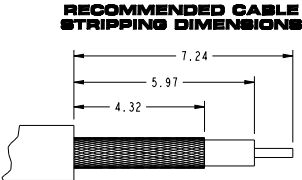
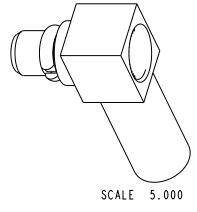
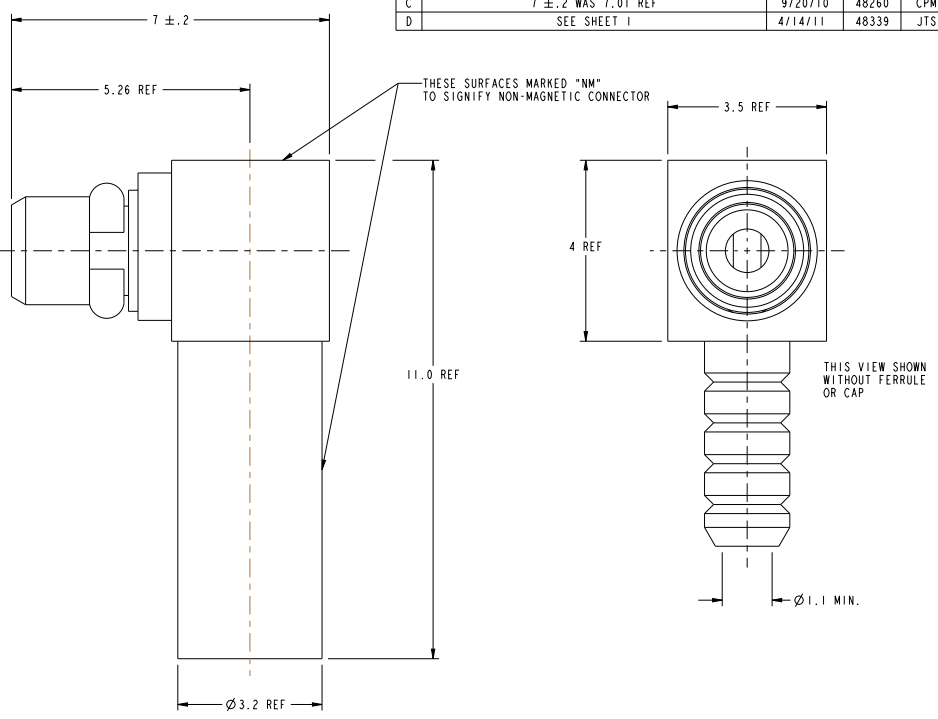


NOTES:

1. MATERIAL AND FINISH:
 - BODIES: BeCu, WHITE BRONZE PLATING
 - CONTACT: BeCu, GOLD PLATING OVER WHITE BRONZE
 - RETAINING RING: BeCu, GOLD PLATING OVER WHITE BRONZE
 - CAP: BeCu, BeCu, WHITE BRONZE PLATING
 - FERRULE: SEAMLESS COPPER TUBING, WHITE BRONZE PLATING
 - INSULATOR: PTFE
2. ELECTRICAL:
 - A. IMPEDANCE: 50 OHM
 - B. FREQUENCY RANGE: DC - 6 GHz
 - C. DIELECTRIC WITHSTANDING VOLTAGE: 500 VRMS, MIN.
3. MECHANICAL:
 - A. DURABILITY: 500 CYCLES MIN.
 - B. TEMPERATURE RANGE: -65° C TO 165° C
 - C. CRIMP WITH .105 INCH HEX
4. PACKAGING:
 - A. QUANTITY: BULK PACK 100
 - B. MARKING: BAG TO BE MARKED "AMPHENOL, 908-NM43200 100 PIECES, AND DATE CODE" AND "NON-MAGNETIC CONNECTORS"

THIRD ANGLE PROJ.

REVISIONS				
REV	DESCRIPTION	DATE	ECO	APPR
A	RELEASE TO MFG.	9/20/10	46108	KJC
B	SEE SHEET 2.	4/8/10	48017	KJC
C	7 ±.2 WAS 7.01 REF	9/20/10	48260	CPM
D	SEE SHEET 1	4/14/11	48339	JTS



CUSTOMER OUTLINE DRAWING
ALL OTHER SHEETS ARE FOR INTERNAL USE ONLY

UNLESS OTHERWISE SPECIFIED, DIMENSIONS ARE IN METRIC AND TOLERANCES ARE: 0.5 - 6mm ±0.1mm 6 - 30mm ±0.2mm 30 - 120mm ±0.3mm ANGLES ±1°	MATERIAL	DRAWN K. CAPOZZI	DATE 18-Jul-06	TITLE ASSEMBLY MMCX RG-178 R/A PLUG NON MAGNETIC		Amphenol RF Danbury CT USA, Taiwan, Taiwan, Shenzhen, China www.amphenolrf.com
	REFERENCE EAR # 1952 AND	ENGINEER K. CAPOZZI	DATE 18-Jul-06	DRAWING NO.		
NOTICE - These drawings, specifications, or other data (1) are, and remain the property of Amphenol Corp. (2) must be returned upon request; and (3) are confidential and not to be disclosed to any person other than those to whom they are given by Amphenol Corp. The furnishing of these drawings, specifications, or other data by Amphenol Corp., or to any other person to anyone for any purpose is not to be regarded by implication or otherwise in any manner licensing, granting rights to permitting such holder or any other person to manufacture, use or sell any product, process or design, patented or otherwise, that may in any way be related to or disclosed by said drawings, specifications, or other data.	CONFIGURATION LEVEL:	APPROVED B. C. GLEISSNER	DATE 9/20/10	SCALE: 12.0:1.0	SHEET 2 OF 2	ITEM NO.
	FINISH	CAD FILE	DWG SIZE B	CODE ID 74868	REV D	908-NM43200