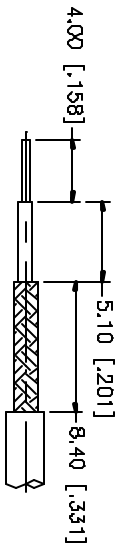
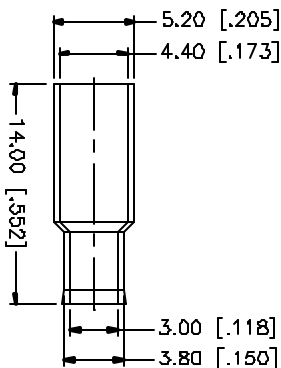
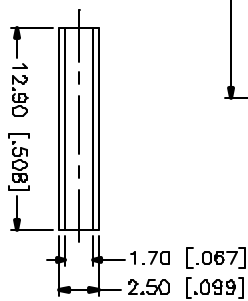
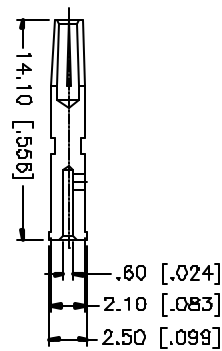
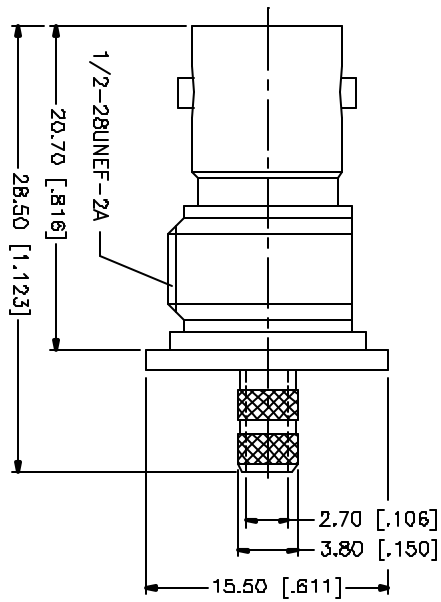
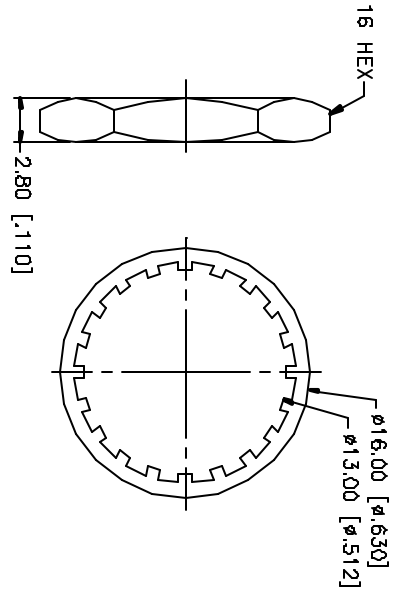


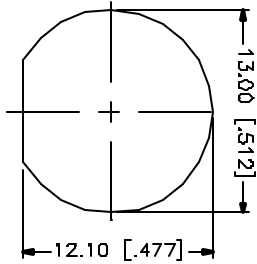
REV.	DATE	DESCRIPTION
A	05/01/04	UPDATE DRAWING FORMAT



RECOMMENDED  
CABLE STRIPPING DIM'S



RECOMMENDED  
MOUNTING HOLE



- CRIMP NOTES:
1. CRIMPED FERRULE  
HEX CRIMP SIZE .178"
  2. CRIMPED CONTACT PIN  
HEX CRIMP SIZE .068"

QTY	DESCRIPTION	MATERIAL	FINISH	QTY	UNITS	UNLESS OTHERWISE SPECIFIED DIMENSIONS ARE IN MILLIMETERS, DIMENSIONS IN [ ] ARE IN INCHES AND FOR DIMENSIONAL REFERENCE ONLY.	APPROVALS	DATE	PART DESCRIPTION
1	FERRULE	COPPER	NICKEL	1	UNLESS OTHERWISE SPECIFIED DIMENSIONS ARE IN MILLIMETERS, DIMENSIONS IN [ ] ARE IN INCHES AND FOR DIMENSIONAL REFERENCE ONLY.				<b>Amphenol Comnex</b> BNC BULKHEAD ISOLATED CRIMP JACK (FOR RG-174/U, 188A/U, 316/U CABLE)
1	SLEEVE	DELRIN	NATURAL	1					
1	CONTACT PIN	PHOS. BRONZE	BOLD	1					
1	HEX NUT	BRASS	NICKEL	1					
1	LOCK WASHER	BRASS	NICKEL	1					
1	GASKET	RUBBER	NICKEL	1					
1	INSULATOR	DELRIN	NATURAL	1					
1	BODY	BRASS	NICKEL	1					
	DESCRIPTION	MATERIAL	FINISH	QTY					

UNLESS OTHERWISE SPECIFIED DIMENSIONS ARE IN MILLIMETERS, DIMENSIONS IN [ ] ARE IN INCHES AND FOR DIMENSIONAL REFERENCE ONLY.

UNLESS OTHERWISE SPECIFIED TOLERANCES FOR MILLIMETERS ARE:  
 0.5 - .31mm ± 0.20mm  
 .3 - .31mm ± 0.20mm  
 .3 - .31mm ± 0.20mm  
 .3 - .31mm ± 0.20mm

UNLESS OTHERWISE SPECIFIED TOLERANCES FOR INCHES ARE:  
 .020 - .315 = ± 0.002"  
 .315 - 1.180 = ± 0.015"  
 1.180 - 4.724 = ± 0.025"

DRAWN	G.R.S.	05/01/04
ISSUED		
SHEET	1 OF 1	

CAD FILE	DMC NO.	REV.	SIZE	SCALE
C:/112/112252.DWG	112252.DWG	A	A	NA