

NOTES:

1. INFORMATION CONTAINED ON THIS DRAWING IS INTENDED TO PROVIDE AMPHENOL'S CUSTOMERS SPECIFICATIONS CRITICAL TO THE INSTALLATION AND USE OF THE ASSOCIATED PRODUCT. AMPHENOL RETAINS THE RIGHT TO REVISE THIS DOCUMENT WITHOUT NOTICE PROVIDING THAT THE CHANGE WILL NOT AFFECT FORM, FIT OR FUNCTION INTERCHANGEABILITY WITH PREVIOUSLY SUPPLIED PRODUCT. IN THE EVENT OF ANY CHANGE AFFECTING SAID INTERCHANGEABILITY CUSTOMERS WILL BE NOTIFIED PRIOR TO IMPLEMENTATION.

2. LOCKWASHER AND NUT ARE SHOWN FOR REFERENCE ONLY AND ARE NOT SUPPLIED AS PART OF CONNECTOR.

3. MATERIALS & FINISHES:

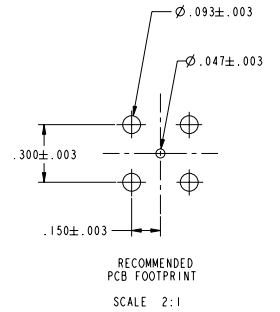
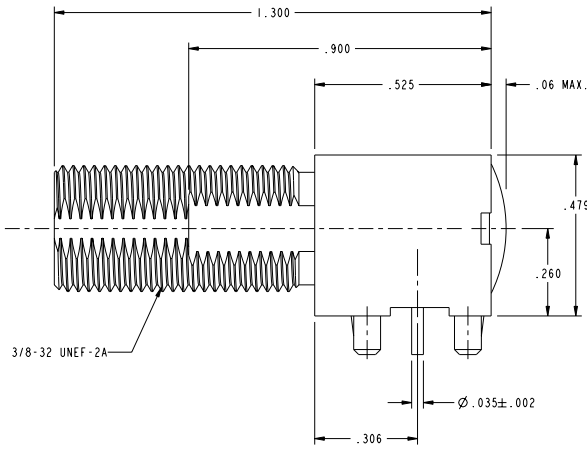
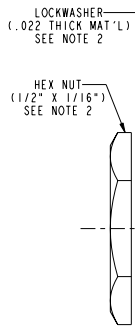
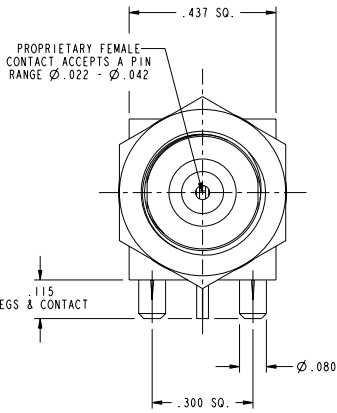
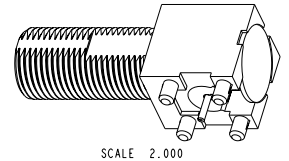
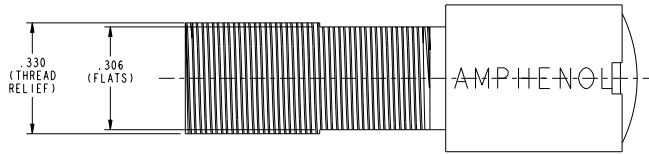
- BODY - ZINC, TIN PLATED
- CONTACT - BERYLLIUM COPPER, TIN PLATED
- HEX NUT - BRASS, NICKEL PLATED
- LOCKWASHER - PHOSPHOR BRONZE, NICKEL PLATED
- INSULATOR - TPX (METHYLPENTENE COPOLYMER)

4. ELECTRICAL:

- A. FREQUENCY RANGE = DC TO 3.0 GHz
- B. RETURN LOSS = -30 dB MAX. (DC TO 1.0 GHz)  
 -20 dB MAX. (1.0 TO 2.0 GHz)  
 -10 dB MAX. (2.0 TO 3.0 GHz)

531-40047-4		REVISIONS			
DRAWING NO.	REV	DESCRIPTION	DATE	ECO	APPR
THIRD ANGLE PROJ.	A	RELEASE TO MFG.	26-Aug-99	43113	CPM
	B	A) CONTACT WAS: PHOSPHOR BRONZE B) INSULATOR WAS: POLYPROPYLENE C. ADDED NOTE 4	3/13/03	44395	BCG

**CUSTOMER OUTLINE DRAWING**  
 ALL OTHER SHEETS ARE FOR INTERNAL USE ONLY



UNLESS OTHERWISE SPECIFIED, DIMENSIONS ARE IN INCHES AND TOLERANCES ARE: 2 PLACE DECIMAL 3 PLACE DECIMAL ANGLES ±.015 (0.381 mm) ±.005 (0.127 mm) ± 1°	MATERIAL	DRAWN	DATE	TITLE	Amphenol Amphenol Corporation Communication and Network Products Division Danbury, CT U.S.A. 06810 SCALE: 3.5:1 SHEET 2 OF 2
	REFERENCE	ENGINEER	DATE	F (FEMALE), PCB, RT. ANGLE W/O HARDWARE	
NOTICE - These drawings, specifications, or other data (1) are, and remain the property of Amphenol Corp. (2) must be returned upon request; and (3) are confidential and not to be disclosed to any person other than those to whom they are given by Amphenol Corp. The furnishing of these drawings, specifications, or other data by Amphenol Corp., or to any other person for any purpose is not to be regarded by implication or otherwise in any manner licensing, granting rights or permitting such holder or any other person to manufacture, use or sell any product, process or design, patented or otherwise, that may in any way be related to or disclosed by said drawings, specifications, or other data.	616X-1105-100	T. AUBIN	12-Jul-99		
	EARN 886 GEN# 531-40047	APPROVED	DATE		
		T. AUBIN	26-Aug-99		
		CAD FILE		CODE ID	DWG SIZE
		1:\CAT\VTYPES\531-40047-4		74868	B
				DRAWING NO.	REV
				531-40047-4	B