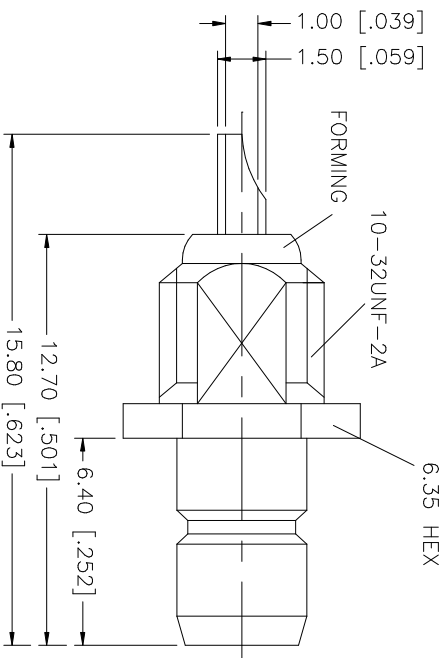
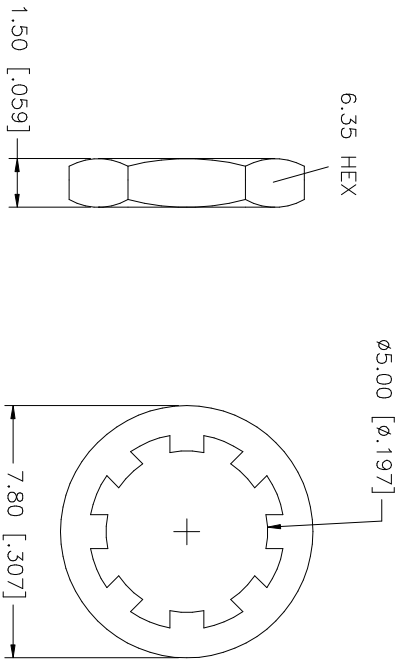
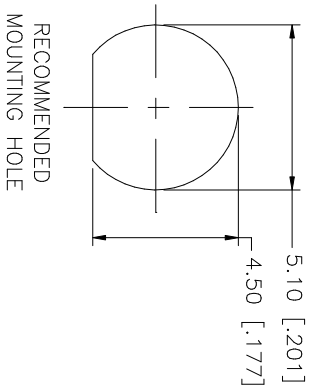


REV.	DATE	DESCRIPTION
NC	01/30/04	INITIAL RELEASE



NO.	DESCRIPTION	MATERIAL	FINISH	QTY	DO NOT SCALE DRAWING	APPROVALS	DATE	PART DESCRIPTION
8					UNLESS OTHERWISE SPECIFIED DIMENSIONS ARE IN MILLIMETERS. DIMENSIONS IN [ ] ARE IN INCHES AND FOR CUSTOMER REFERENCE ONLY. UNLESS OTHERWISE SPECIFIED TOLERANCES FOR MILLIMETERS ARE: 0.5 - 8mm ± 0.20mm 8 - 30mm ± 0.40mm 30 - 120mm ± 0.50mm UNLESS OTHERWISE SPECIFIED TOLERANCES FOR INCHES ARE: .020 - .315 = ± 0.007" .315 - 1.180 = ± 0.015" 1.180 - 4.724 = ± 0.020"			
7								
6								
5	HEX NUT	BRASS	GOLD	1				
4	LOCK WASHER	BRASS	GOLD	1				
3	CONTACT PIN	BRASS	GOLD	1				
2	INSULATOR	TEFLON	NATURAL	1				
1	BODY	BRASS	GOLD	1				
	DESCRIPTION							
CAD FILE C:/142/142150.DWG						APPROVALS		DATE
						DRAWN G.R.S.		01/30/04
						CHECKED		
						ISSUED		
						SHEET 1 OF 1		
						PART NO.		142150
						DWG. NO.		142150.DWG
						REV.		NC
						SIZE		A
						SCALE		NA
SMB BULKHEAD RECEPT. JACK								