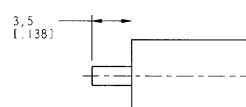
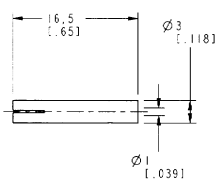
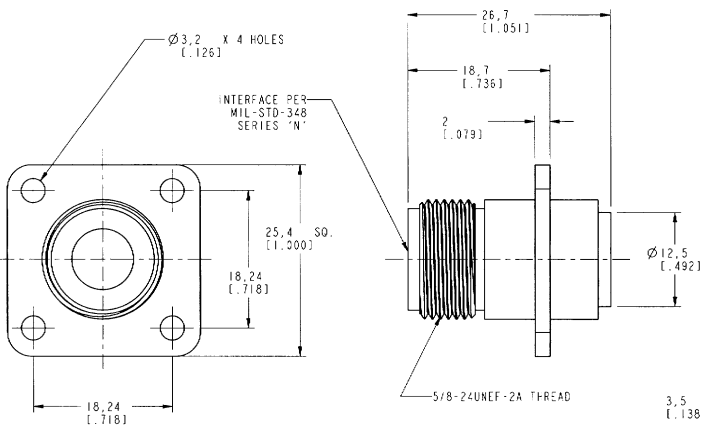


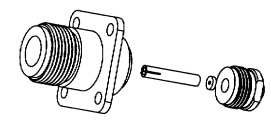
NOTES:

1. MATERIALS OF CONSTRUCTION:  
 OUTER BODY & INNER BODY = BRASS, NICKEL PLATED  
 CONTACT PIN = PHOSPHOR BRONZE, GOLD PLATED  
 SOLDER NUT = BRASS, GOLD PLATED  
 INSULATORS = PTFE, PER MIL-P-19468

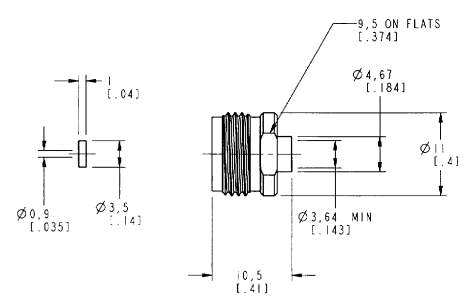
82-6099-RFX		REVISIONS			
DRAWING NO.	REV	DESCRIPTION	DATE	ECO	APPR
THIRD ANGLE PROJ.	A	RELEASE TO MFG.	11/23/00	43603	CPM



RECOMMENDED CABLE STRIPPING DIMENSIONS  
 SCALE 3.000



SCALE 1.000



CUSTOMER OUTLINE DRAWING FOR REFERENCE ONLY

UNLESS OTHERWISE SPECIFIED, DIMENSIONS ARE IN INCHES AND TOLERANCES ARE: 0.5 - 6mm ±0.2mm 6 - 30mm ±0.4mm 30 - 120mm ±0.6mm	MATERIAL  REFERENCE GENP 82-6163.ASSY	DRAWN C. McGRATH DATE 11/14/00	TITLE 'N' PANEL JACK DIRECT SOLDER FOR .141 SEMI-RIDGID	Amphenol Amphenol Corporation Communication and Network Products Division Danbury, CT U.S.A. 06810 SCALE: 2.0:1 SHEET 2 OF 2		
		ENGINEER O. BARTHELME DATE 11/14/00	APPROVED [Signature] DATE 11/23/00			
NOTICE - These drawings, specifications, or other data (1) are, and remain the property of Amphenol Corp. (2) must be returned upon request, and (3) are confidential and not to be disclosed to any person other than those to whom they are given by Amphenol Corp. The furnishing of these drawings, specifications, or other data by Amphenol Corp., or to any other person to anyone for any purpose is not to be regarded by implication or otherwise in any manner licensing, granting rights or permitting such holder or any other person to manufacture, use or sell any product, process or design, patented or otherwise, that may in any way be related to or disclosed by said drawings, specifications, or other data.		CAD FILE 1:1M\82-6099-RFX	CODE ID 74868	DWG SIZE B	DRAWING NO. 82-6099-RFX	REV A