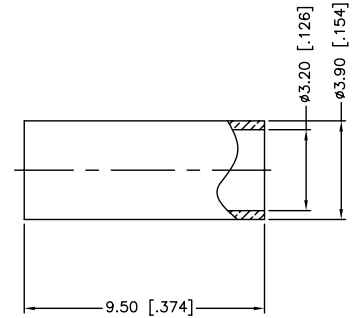
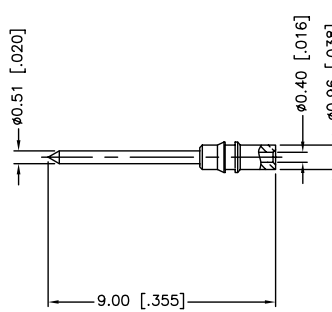
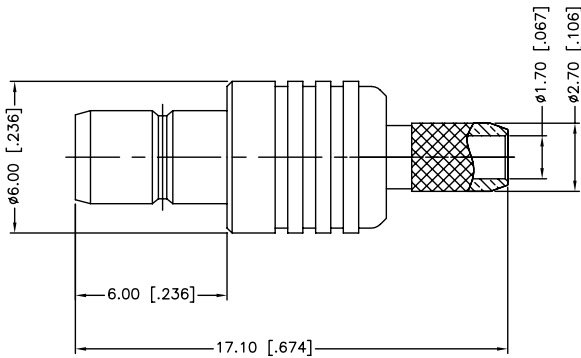
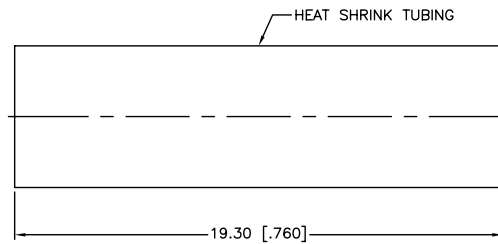
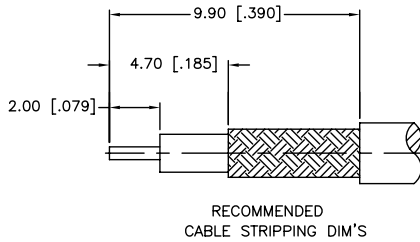


REV.	DATE	ECR NO.	DESCRIPTION
NC	10/20/09	XXXXXX	INITIAL RELEASE



1. CRIMPED FERRULE
HEX CRIMP SIZE .128"
2. CRIMPED CONTACT PIN
SQ. CRIMP SIZE 0.7mm

UNLESS OTHERWISE SPECIFIED DIMENSIONS ARE IN MILLIMETERS. DIMENSIONS IN [] ARE IN INCHES AND FOR CUSTOMER REFERENCE ONLY.				APPROVALS	DATE	<h1 style="color: blue; margin: 0;">Amphenol Connex</h1>		
7	HEAT SHRINK TUBING	BLACK	1	DRAWN	M.ZHANG		10/20/09	
6	FERRULE	BRASS	GOLD	CHECKED				
5	CONTACT PIN	BRASS	GOLD	ISSUED				
4	BARREL	BRASS	GOLD	SHEET	1 OF 1			
3	INSULATOR	PTFE	NATURAL	<p style="text-align: center;">PART DESCRIPTION</p> <p style="text-align: center;">SMB CRIMP JACK (FOR RG-179/U CABLE)</p>				
2	INSULATOR	PTFE	NATURAL				<p style="text-align: center;">PART NO. 142189-75</p>	
1	BODY	BRASS	GOLD	<p style="text-align: center;">DWG. NO. 142189-75.DWG</p>				
	DESCRIPTION	MATERIAL	FINISH	QTY	CAD FILE	REV.	SIZE	SCALE
					C:/CONNEX/142189-75.DWG	NC	A	NA

UNLESS OTHERWISE SPECIFIED DIMENSIONS ARE IN MILLIMETERS. DIMENSIONS IN [] ARE IN INCHES AND FOR CUSTOMER REFERENCE ONLY.

UNLESS OTHERWISE SPECIFIED TOLERANCES FOR MILLIMETERS ARE:
0.5 - 8mm ± 0.20mm
8 - 30mm ± 0.40mm
30 - 120mm ± 0.50mm

UNLESS OTHERWISE SPECIFIED TOLERANCES FOR INCHES ARE:
.020 - .315 = ± 0.007"
.315 - 1.180 = ± 0.015"
1.180 - 4.724 = ± 0.020"

DO NOT SCALE DRAWING