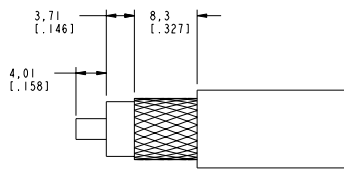


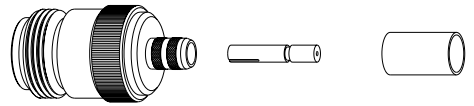
**NOTES:**

1. MATERIALS OF CONSTRUCTION:  
 BODY & BARREL = BRASS (ASTM-B16 H02, C36000), NICKEL PLATED (.000100 MIN) THICK  
 FERRULE = JIS H 3250, C 2700, NICKEL PLATED (.000100 MIN) THICK  
 CONTACT PIN = PHOSPHOR BRONZE (Q0-B-750), GOLD PLATED (.000003 MIN) THICK  
 INSULATOR = PTFE, ASTM D 1710 OR EQUIV.
2. ELECTRICAL:  
 A. IMPEDANCE: 50 OHM  
 B. FREQUENCY RANGE: DC - 11 GHz  
 C. VSWR(RETURN LOSS): 1:3 (17.7 dB), MAX.  
 D. DIELECTRIC WITHSTANDING VOLTAGE: 2,500 VRMS, MIN.
3. MECHANICAL:  
 A. TEMPERATURE RANGE: -65° C TO +165° C
4. PACKAGING:  
 A. QUANTITY: SINGLE PACK  
 B. MARKING: BAG TO BE MARKED  
 \*AMPHENOL, 82-6092-RFX, AND DATE CODE\*

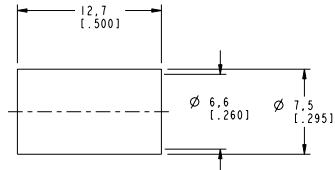
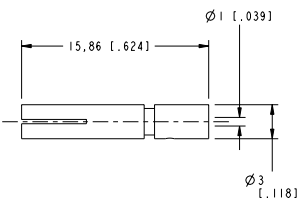
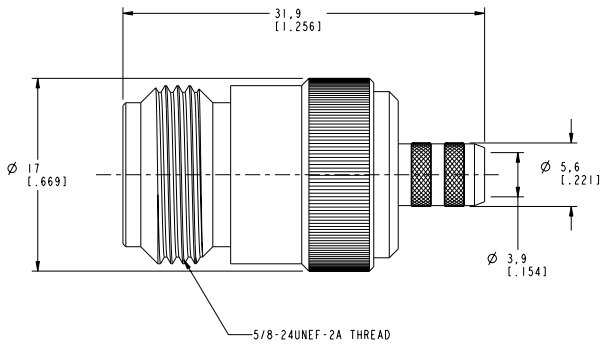
82-6092-RFX		REVISIONS			
DRAWING NO.	REV	DESCRIPTION	DATE	ECO	APPR
THIRD ANGLE PROJ.	A	RELEASE TO MFG.	6/27/02	44096	CPM
	B	ADD CABLE CALL OUT; ADD NOTES 2 THRU 4	9/12/05	45713	CPM



RECOMMENDED CABLE STRIPPING DIMENSIONS  
SCALE 2.000



SCALE 1.500



**CUSTOMER OUTLINE DRAWING**  
ALL OTHER SHEETS ARE FOR INTERNAL USE ONLY

UNLESS OTHERWISE SPECIFIED, DIMENSIONS ARE IN MM (INCHES) AND TOLERANCES ARE: 0.5 - 6mm ±0.2mm 6 - 30mm ±0.4mm 30 - 120mm ±0.6mm	MATERIAL	DRAWN	DATE	TITLE	Amphenol Amphenol Corporation Communication and Network Products Division Danbury, CT U.S.A. 06810
	REFERENCE EAR 615 GENR 82-5376-RFX_ASSY	C. McGRATH	6/21/02	'N' CRIMP JACK RG 59 & 62	
NOTICE - These drawings, specifications, or other data (1) are, and remain the property of Amphenol Corp. (2) must be returned upon request; and (3) are confidential and not to be disclosed to any person other than those to whom they are given by Amphenol Corp. The furnishing of these drawings, specifications, or other data by Amphenol Corp., or to any other person to anyone for any purpose is not to be regarded by implication or otherwise in any manner licensing, granting rights or permitting such holder or any other person to manufacture, use or sell any product, process or design, patented or otherwise, that may in any way be related to or disclosed by said drawings, specifications, or other data.		ENGINEER	DATE		SCALE: 3.0:1 SHEET 2 OF 2
		O. BARTHELME	6/21/02		
		APPROVED	DATE		
		O. BARTHELME	6/26/02		
		CAD FILE	CODE ID	DWG SIZE	DRAWING NO.
		I:\N\82-6092-RFX	74868	B	82-6092-RFX
					REV B