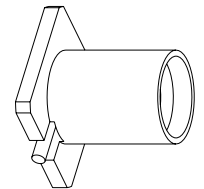
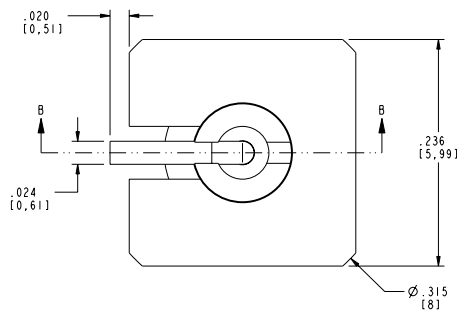
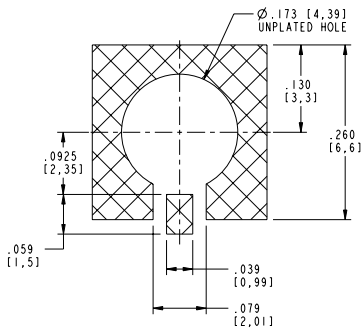


- NOTES:
- MATERIALS AND FINISHES:
BODY - BRASS, GOLD PLATING, .000030 [0.8] THICK OVER COPPER
CONTACT - GOLD, GOLD PLATING, .000030 [0.8] THICK OVER COPPER
INSULATOR - PEEK OR LCP
 - ELECTRICAL:
A. IMPEDANCE: 50 OHM
B. FREQUENCY RANGE: DC - 12 GHz
C. VSWR(RETURN LOSS): 1.10 (26 dB), MAX. DC-6GHz
1.20 (21 dB), MAX. 6-12GHz
D. DIELECTRIC WITHSTANDING VOLTAGE: 500 VRMS, MIN.
 - PHYSICAL:
A. DURABILITY: 500 CYCLES MIN.
B. ENGAGEMENT FORCE: 10 LB [45 N] MAX
C. DISENGAGEMENT FORCE: 2 LB [9 N] MIN
D. INNER CONTACT RETENTION FORCE: 1.5 LB [7 N] MIN
E. TEMPERATURE RANGE: -65° C TO 165° C
 - PACKAGING:
A. QUANTITY: SINGLE PACK
B. MARKING: AMPHENOL, SMP-MSLD-PCR, DATE CODE

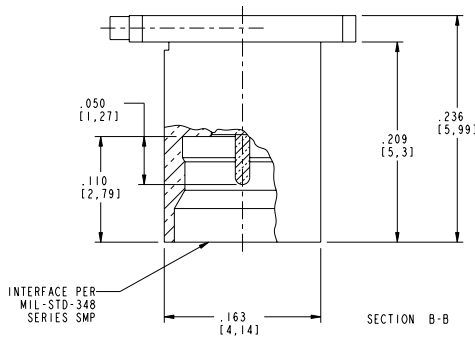
SMP-MSLD-PCR		REVISIONS			
DRAWING NO.	REV	DESCRIPTION	DATE	ECO	APPR
THIRD ANGLE PROJ.	01	PROTOTYPE RELEASE	10/02/01		MAH



SCALE 6.000



RECOMMENDED PCB PAD LAYOUT
SCALE 7.000



SECTION B-B

CUSTOMER OUTLINE DRAWING
ALL OTHER SHEETS ARE FOR INTERNAL USE ONLY

UNLESS OTHERWISE SPECIFIED, DIMENSIONS ARE IN INCHES AND TOLERANCES ARE:
2 PLACE DECIMAL ±.015 (0.381 mm)
3 PLACE DECIMAL ±.005 (0.127 mm)
ANGLES ± 1°

NOTICE - These drawings, specifications, or other data (1) are, and remain the property of Amphenol Corp. (2) must be returned upon request; and (3) are confidential and not to be disclosed to any person other than those to whom they are given by Amphenol Corp. The furnishing of these drawings, specifications, or other data by Amphenol Corp., or to any other person for any purpose is not to be regarded by implication or otherwise in any manner licensing, granting rights or permitting such holder or any other person to manufacture, use or sell any product, process or design, patented or otherwise, that may in any way be related to or disclosed by said drawings, specifications, or other data.

MATERIAL

REFERENCE
GEN# ASSYM2_SMP
EARN# 283
615X-1690-100

DRAWN

MIKE HOYACK

ENGINEER
OWEN BARTHELME

APPROVED

CAD FILE

1:\SMP\SMP-MSLD-PCR

DATE

02-Oct-01

DATE

25-Apr-01

DATE

TITLE

SMP MALE, PIN CONTACT
PC BOARD, REAR MOUNT
LIMITED DETENT

CODE ID

74868

DWG SIZE

B

DRAWING NO.

SMP-MSLD-PCR

Amphenol

Amphenol Corporation
Communication and Network
Products Division
Danbury, CT U.S.A. 06810

SCALE: 10.0:1 SHEET 2 OF 2

REV

01