

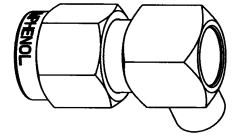
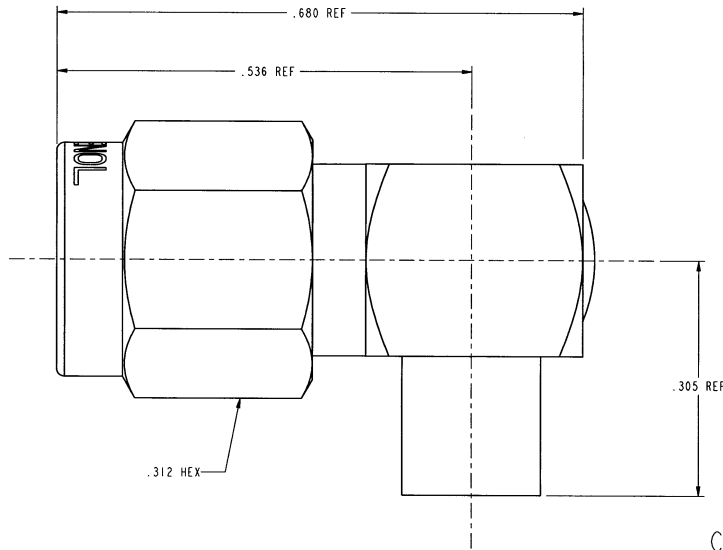
NOTES:

1. MATERIALS OF CONSTRUCTION:
 BODY, CAP & COUPLING NUT = STAINLESS STEEL, GOLD PLATED
 CONTACT = BERYLLIUM COPPER, GOLD PLATED
 RETAINER RING = BERYLLIUM COPPER
 INSULATOR = TEFLON, FLUOROCARBON, ASTM-D-1457
 GASKET = SILICONE RUBBER
2. INTERFACE PER MIL-STD-348.
3. CABLE ASSEMBLY INSTRUCTIONS PER 349-50180, SHEET 19.

901-9221-1A

REVISIONS

| DRAWING NO. | REV | DESCRIPTION | DATE | ECO | APPR |
|-------------------|-----|-----------------|---------|-------|------|
| THIRD ANGLE PROJ. | -- | RELEASE TO MFG. | | | |
| | J | SEE SHEET 1 | 9/13/00 | 43492 | CPM |



SCALE 3.000

CUSTOMER OUTLINE DRAWING
FOR REFERENCE ONLY

| | | | | | |
|--|-------------------------------|--------------------------------|-------------------|---|---|
| UNLESS OTHERWISE SPECIFIED, DIMENSIONS ARE IN INCHES AND TOLERANCES ARE: 2 PLACE DECIMAL ±.015 (0.381 mm) 3 PLACE DECIMAL ±.005 (0.127 mm) ANGLES ± 1° NOTICE - These drawings, specifications, or other data (1) are, and remain the property of Amphenol Corp. (2) must be returned upon request; and (3) are confidential and not to be disclosed to any person other than those to whom they are given by Amphenol Corp. The furnishing of these drawings, specifications, or other data by Amphenol Corp., or to any other person for any purpose is not to be regarded by implication or otherwise in any manner licensing, granting rights or permitting such holder or any other person to manufacture, use or sell any product, process or design, patented or otherwise, that may in any way be related to or disclosed by said drawings, specifications, or other data. | MATERIAL | DRAWN C. McGRATH | DATE 23-Aug-00 | TITLE SMA R/A PLUG FOR .141 SEMI-RIGID CABLE | Amphenol Amphenol Corporation Communication and Network Products Division Danbury, CT U.S.A. 06810 |
| | REFERENCE GEN# ASSYM24.SMA | ENGINEER P. BRENZEL | DATE 23-Aug-00 | APPROVED DATE 9/13/00 | |
| | | CAD FILE I:\SMA\901-9221-1A | CODE ID 74868 | DWG SIZE B | DRAWING NO. 901-9221-1A |
| | | | | | SHEET 2 OF 2 |
| | | | | | REV J |