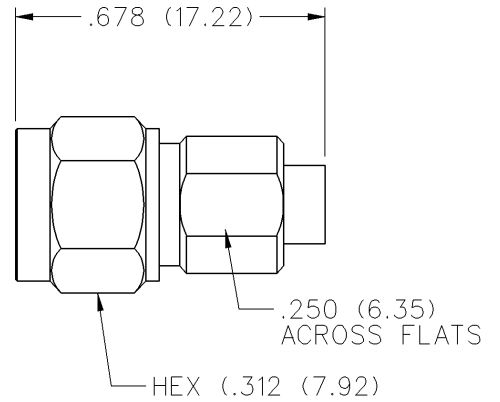


Between Series Adapter SMA Plug to MMCX Jack



INCHES (MILLIMETERS)
CUSTOMER DRAWINGS AVAILABLE UPON REQUEST



VSWR & FREQUENCY RANGE	GOLD PLATED
1.05 + .05f (GHz) 0-6 GHz	134-1019-151