

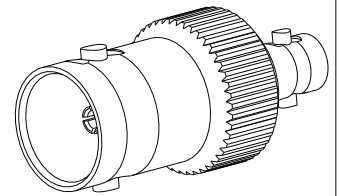
- NOTES:
- MATERIALS AND FINISHES:
 BODY - BRASS, NICKEL PLATING
 CONTACT - BERYLLIUM COPPER, GOLD PLATING
 INSULATOR - PTFE
 - ELECTRICAL:
 A. IMPEDANCE: 75 OHM
 B. FREQUENCY RANGE: DC - 3 GHz
 C. RETURN LOSS : 25 dB MIN
 - MECHANICAL:
 A. DURABILITY: 500 CYCLES MIN.
 B. TEMPERATURE RANGE: -65° C TO +165° C
 - PACKAGING:
 A. QUANTITY: SINGLE PACK
 B. MARKING: BAG TO BE MARKED
 "AMPHENOLRF, APH-BNCJ-HDBNCJ, AND DATE CODE"

THIRD ANGLE PROJ.

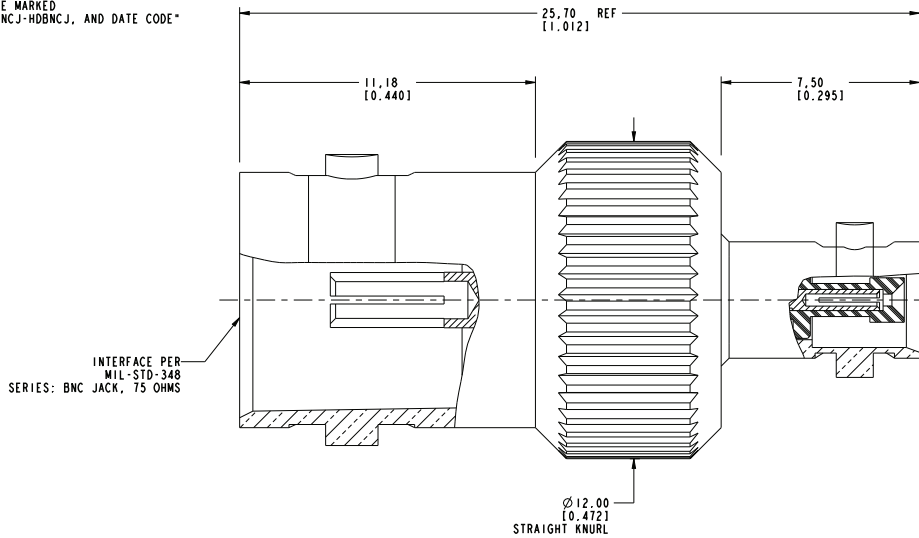
REVISIONS

REV	DESCRIPTION	DATE	ECO	APPR
1	PROTOTYPE RELEASE	16-Feb-10	--	NMV
2	SEE SHEET 1.	17-Feb-10	--	NMV
3	SEE SHEET 1	21-May-10	--	KR

PRELIMINARY ISSUE



SCALE 3.500



CUSTOMER OUTLINE DRAWING
 ALL OTHER SHEETS ARE FOR INTERNAL USE ONLY

<p>UNLESS OTHERWISE SPECIFIED, DIMENSIONS ARE IN METRIC AND TOLERANCES ARE: <0.5mm ±0.05mm 0.5 - 6mm ±0.1mm 6 - 30mm ±0.2mm 30 - 120mm ±0.3mm ANGLES ±1°</p> <p>NOTICE - These drawings, specifications, or other data (1) are, and remain the property of Amphenol Corp. (2) must be returned upon request; and (3) are confidential and not to be disclosed to any person other than those to whom they are given by Amphenol Corp. The furnishing of these drawings, specifications, or other data by Amphenol Corp., or to any other person to anyone for any purpose is not to be regarded by implication or otherwise in any manner licensing, granting rights to permitting such holder or any other person to manufacture, use or sell any product, process or design, patented or otherwise, that may in any way be related to or disclosed by said drawings, specifications, or other data.</p>	MATERIAL	DRAWN	DATE	TITLE	Amphenol RF Danbury CT USA, Tainan, Taiwan, Shenzhen, China www.amphenolrf.com	
	SEE NOTES	NISCHIT MV	16-Feb-10			ADAPTOR, 75 OHM
	REFERENCE	APPROVED	DATE	16-Feb-10	BNC, JACK TO	DRAWING NO. APH-BNCJ-HDBNCJ
	FINISH	Root Folder/BNC/APH-BNCJ-HDBNCJ	CAD FILE	Root Folder/BNC/APH-BNCJ-HDBNCJ	HD BNC JACK	ITEM NO. APH-BNCJ-HDBNCJ
				SCALE: 7.0:1.0	SHEET 2 OF 2	
				DWG SIZE B	REV 3	PART NO. APH-BNCJ-HDBNCJ