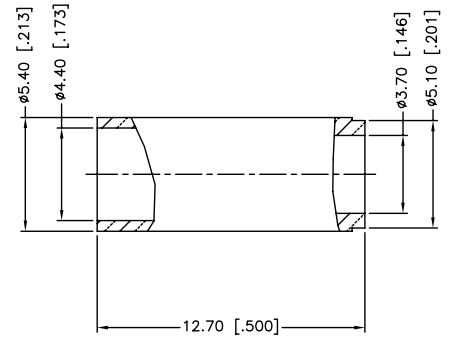
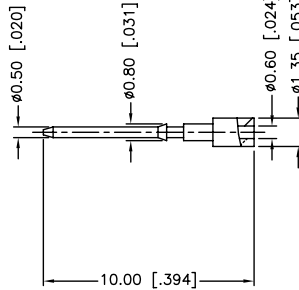
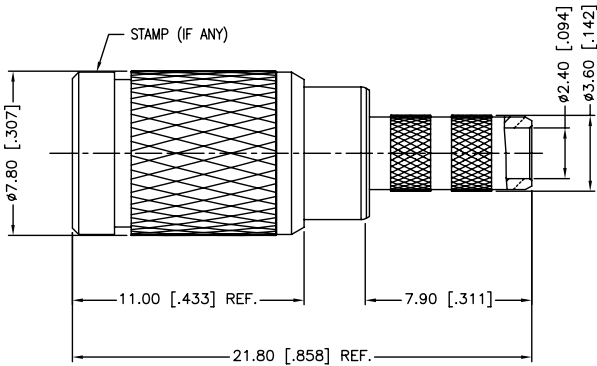


REV.	DATE	ECR NO.	DESCRIPTION
NC	04/08/10	XXXXXX	INITIAL RELEASE
A	10/03/07	XXXXXX	REVISE BODY DIAMETER AND LENGTH
B	11/18/07	XXXXXX	CHANGE CABLE DESCRIPTION TO "735A CABLE"
C	04/08/10	XXXXXX	THE DESIGN WAS CHAGNED



1. FREQUENCY RANGE: DC - 3 GHz
2. VSWR (RETURN LOSS): 1.15, MAX.
3. CRIMPED FERRULE
HEX CRIMP SIZE .178"
4. CRIMPED CONTACT PIN
HEX CRIMP SIZE .043"

DESCRIPTION	MATERIAL	FINISH	QTY	DO NOT SCALE DRAWING	APPROVALS	DATE	Amphenol Connex								
8	FERRULE	BRASS	NICKEL	1	<small>UNLESS OTHERWISE SPECIFIED DIMENSIONS ARE IN MILLIMETERS. DIMENSIONS IN [] ARE IN INCHES AND FOR CUSTOMER REFERENCE ONLY.</small> <small>UNLESS OTHERWISE SPECIFIED TOLERANCES FOR MILLIMETERS ARE:</small> 0.5 - 8mm ± 0.20mm 8 - 30mm ± 0.40mm 30 - 120mm ± 0.50mm <small>UNLESS OTHERWISE SPECIFIED TOLERANCES FOR INCHES ARE:</small> .020 - .315 = ± 0.007" .315 - 1.180 = ± 0.015" 1.180 - 4.724 = ± 0.020"	04/08/10	1.0/2.3 PUSH-PULL CRIMP PLUG (FOR AT&T 735A CABLE)								
7	CONTACT PIN	BRASS	GOLD	1		DRAWN					M.ZHANG	PART DESCRIPTION			
6	BARREL	BRASS	NICKEL	1		CHECKED						PART NO.			
5	INSULATOR	PTFE	NATURAL	1		ISSUED						282118-75			
4	OUT CONTACT	BER. COPPER	GOLD	1	SHEET	1 OF 1	DWG. NO. 282118-75.DWG								
3	BODY	BRASS	NICKEL	1	CAD FILE		C:/CONNEX/282118-75.DWG	REV.	C	SIZE	A	SCALE	NA		
2	SPRING	BER. COPPER	NATURAL	1	DWG. NO.		282118-75.DWG								
1	SHELL	BRASS	NICKEL	1											