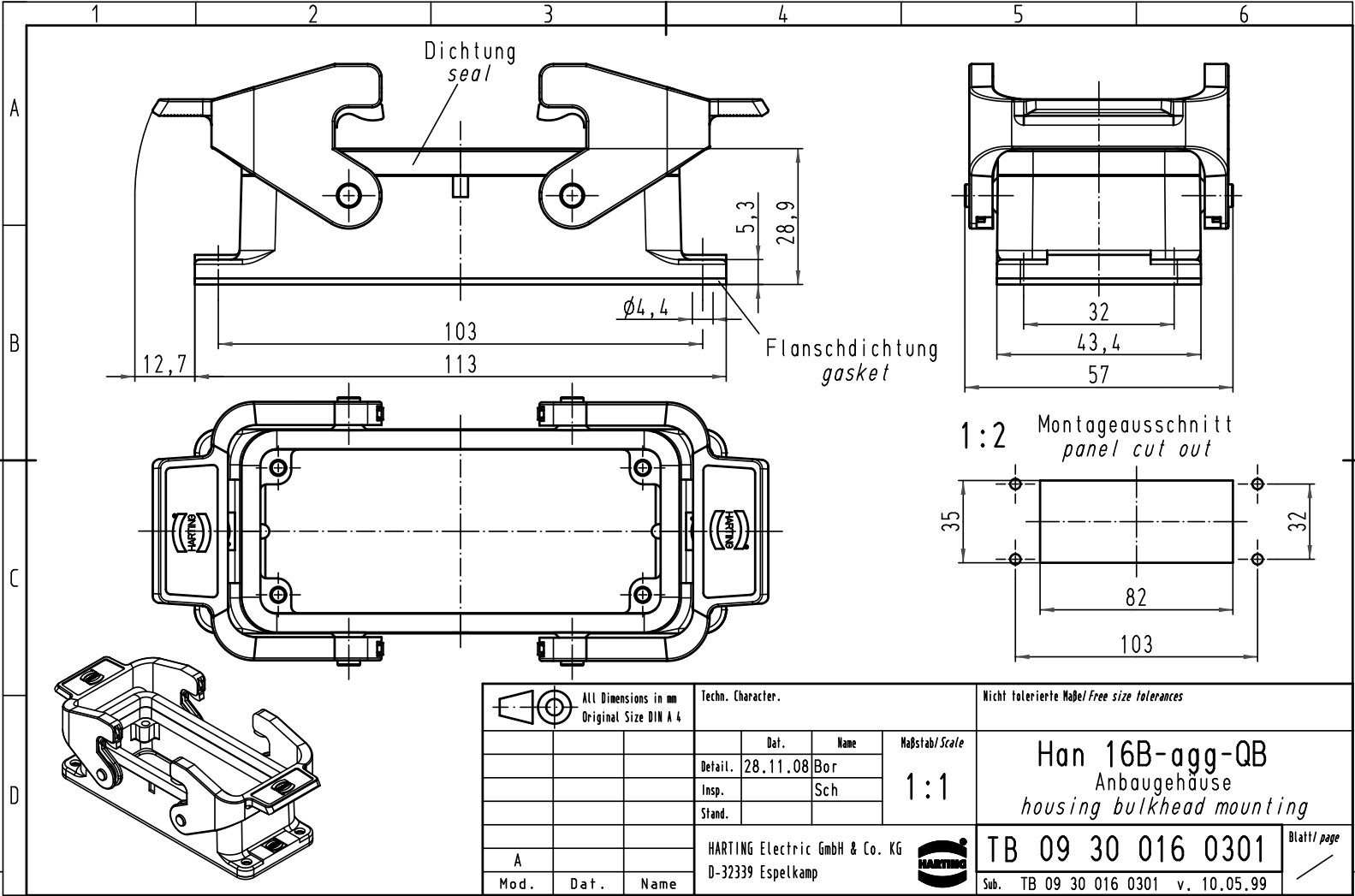


Alle Rechte vorbehalten/ All rights reserved



All Dimensions in mm Original Size DIN A 4		Techn. Character.			Nicht tolerierte Maß/Free size tolerances										
		<table border="1"> <tr> <th>Dat.</th> <th>Name</th> <th>Maßstab/Scale</th> </tr> <tr> <td>Detail. 28.11.08</td> <td>Bor</td> <td rowspan="3">1:1</td> </tr> <tr> <td>Insp.</td> <td>Sch</td> </tr> <tr> <td>Stand.</td> <td></td> </tr> </table>	Dat.	Name	Maßstab/Scale	Detail. 28.11.08	Bor	1:1	Insp.	Sch	Stand.		Han 16B-agg-QB Anbaugeschäube housing bulkhead mounting		
Dat.	Name	Maßstab/Scale													
Detail. 28.11.08	Bor	1:1													
Insp.	Sch														
Stand.															
<table border="1"> <tr> <th>A</th> <th>Dat.</th> <th>Name</th> </tr> <tr> <td> </td> <td> </td> <td> </td> </tr> </table>	A	Dat.	Name				HARTING Electric GmbH & Co. KG D-32339 Espelkamp				TB 09 30 016 0301 Sub. TB 09 30 016 0301 v. 10.05.99				
A	Dat.	Name													
					Blatt/page										