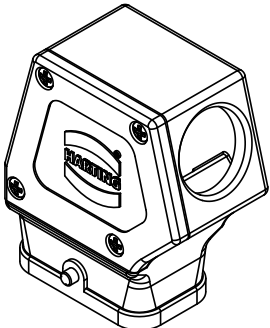
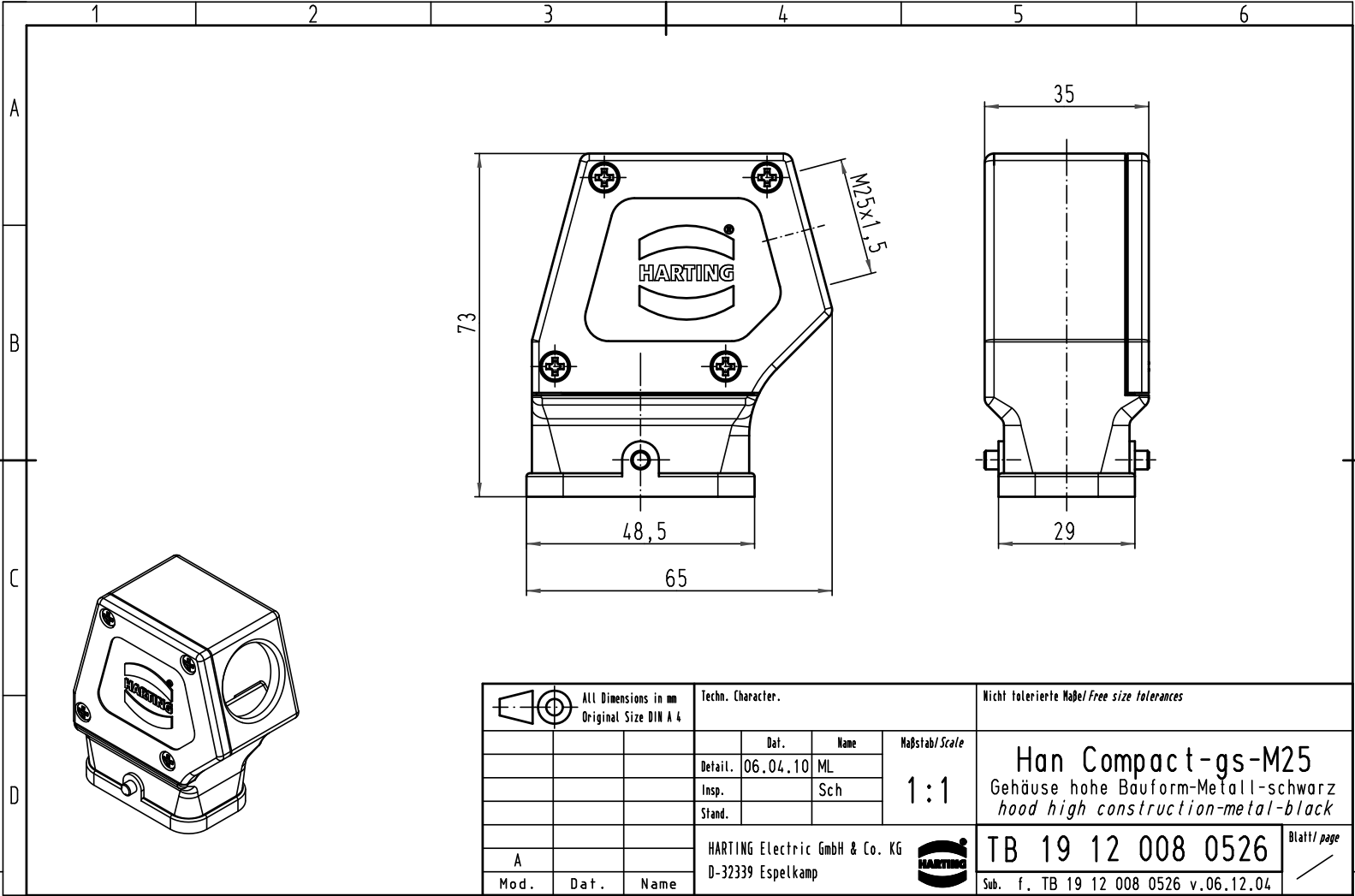


Alle Rechte vorbehalten/ All rights reserved



|   |      |                   |   |             |   |  |                 |
|---|------|-------------------|---|-------------|---|--|-----------------|
| All Dimensions in mm<br>Original Size DIN A 4 |      | Techn. Character. |   |             | Nicht tolerierte Maß/Free size tolerances |  |                 |
|   |      |                   | Dat.  | Name        | Maßstab/Scale<br><br><b>1:1</b>           | <b>Han Compact-gs-M25</b><br>Gehäuse hohe Bauform-Metall-schwarz<br>hood high construction-metal-black |                 |
|   |      |                   | Detail.   | 06.04.10 ML |   |  |                 |
|   |      |                   | Insp.   | Sch         |   |  |                 |
|   |      |                   | Stand.  |             |   |  |                 |
| A   |      |                   | HARTING Electric GmbH & Co. KG<br>D-32339 Espelkamp |             |   | <b>TB 19 12 008 0526</b><br>Sub. f. TB 19 12 008 0526 v.06.12.04                                       | Blatt/page<br>/ |
| Mod.  | Dat. | Name              |   |             |   |  |                 |