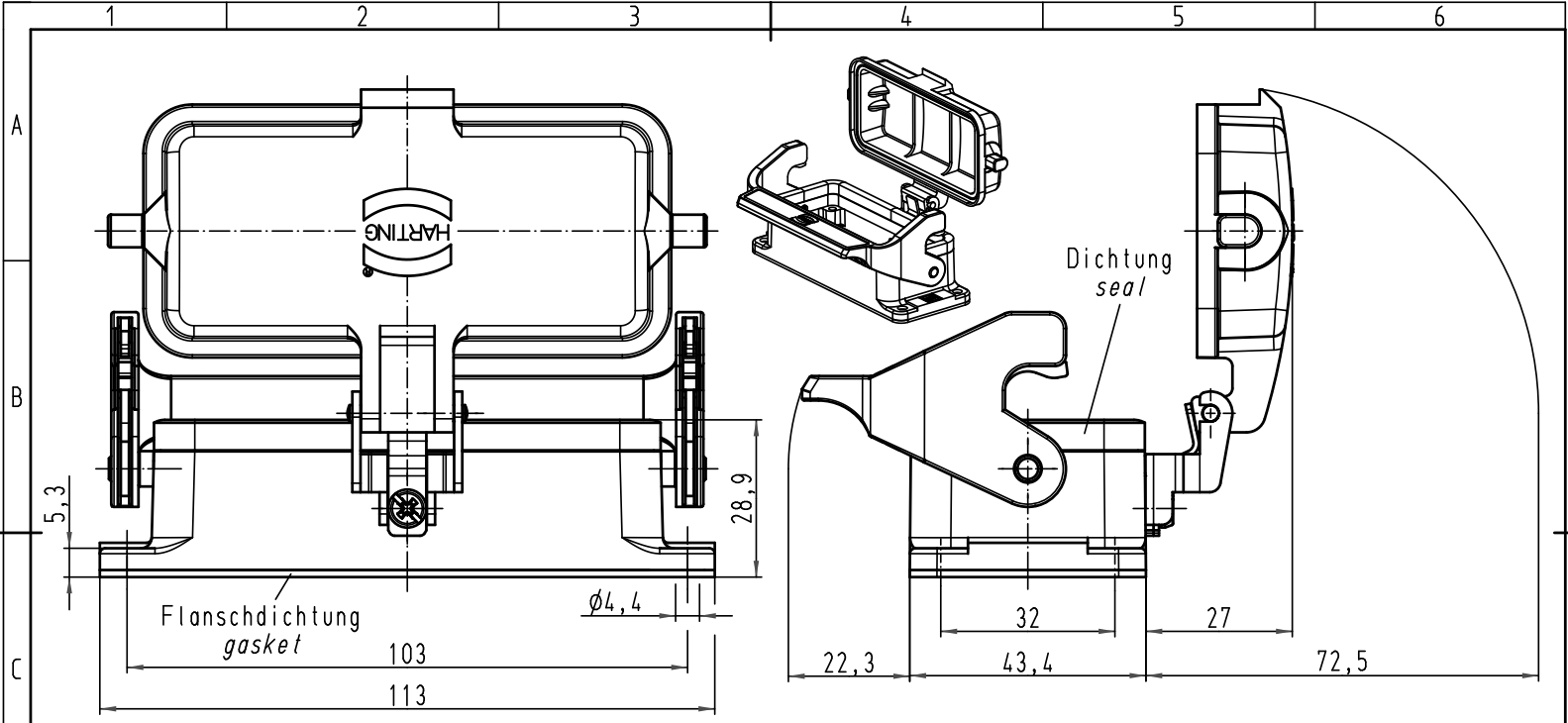
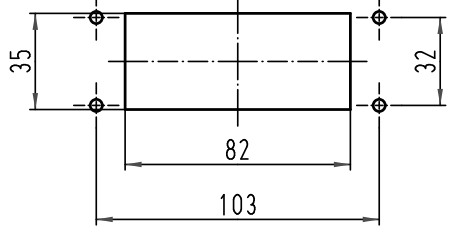


Alle Rechte vorbehalten/ All rights reserved



1:2 Montageausschnitt  
panel cut out



		Techn. Character.			Nicht tolerierte Maß/Free size tolerances														
		<table border="1"> <tr> <th>Detail.</th> <th>Dat.</th> <th>Name</th> <th>Maßstab/Scale</th> </tr> <tr> <td></td> <td>28.11.08</td> <td>Bor</td> <td rowspan="3">1:1</td> </tr> <tr> <td>Insp.</td> <td></td> <td>Sch</td> </tr> <tr> <td>Stand.</td> <td></td> <td></td> </tr> </table>	Detail.	Dat.	Name	Maßstab/Scale		28.11.08	Bor	1:1	Insp.		Sch	Stand.			Han 16B-agg-LB-K Anbaugeschäuse housing bulkhead mounting		
Detail.	Dat.	Name	Maßstab/Scale																
	28.11.08	Bor	1:1																
Insp.		Sch																	
Stand.																			
<table border="1"> <tr> <td>A</td> <td></td> <td></td> </tr> <tr> <td>Mod.</td> <td>Dat.</td> <td>Name</td> </tr> </table>		A			Mod.	Dat.	Name	HARTING Electric GmbH & Co. KG D-32339 Espelkamp		<table border="1"> <tr> <td>TB 09 30 016 0306</td> <td rowspan="2">Blatt/ page</td> </tr> <tr> <td>Sub. TB 09 30 016 0306 v. 29.01.93</td> </tr> </table>		TB 09 30 016 0306	Blatt/ page	Sub. TB 09 30 016 0306 v. 29.01.93					
A																			
Mod.	Dat.	Name																	
TB 09 30 016 0306	Blatt/ page																		
Sub. TB 09 30 016 0306 v. 29.01.93																			