

# Power contacts 8291



## Contacts

TRIM TRIO Connectors also offer possibilities to use or combine power contacts with the standard size 16 signal contacts into the same housing. It offers customers to reduce the number of connectors when combining signal and high current applications into 1 connector.

The signal cavities accept the full range of TRIM TRIO size 16 contacts for applications up till 13 A.

Power cavities will either accept:

- Size 12 contacts for applications up till 26 A
- Size 8 contacts for applications up till 44 A

Pin and Socket contacts are solid machined crimp snap-in and sockets for heavy duty top performance requirements

Springs on both contacts are made of spring tempered, heat-treated, beryllium copper.



### Construction

Contact body : High conductive copper alloy

Outer spring : Tempered, heat-treated, non plated beryllium copper.

### Plating

K = 0.4µm Gold mini all over, over Nickel

A = 3µ Silver all over

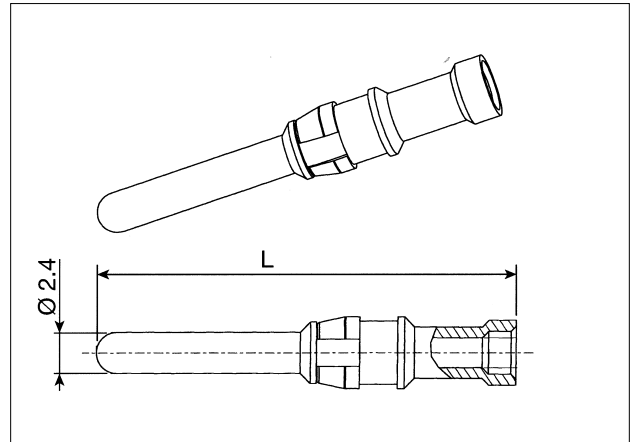
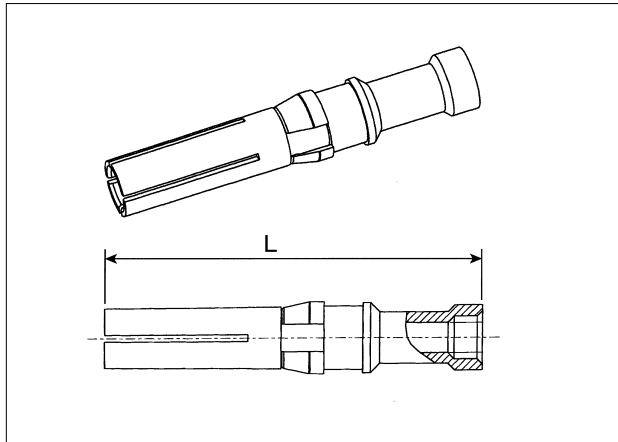
## Performance characteristics

	Contacts # 12 (Ø 2,4)	Contacts # 8 (Ø 3,6)
Current rating :	26 A	44 A
Contact resistance :	≤ 5 mΩ	≤ 5 mΩ

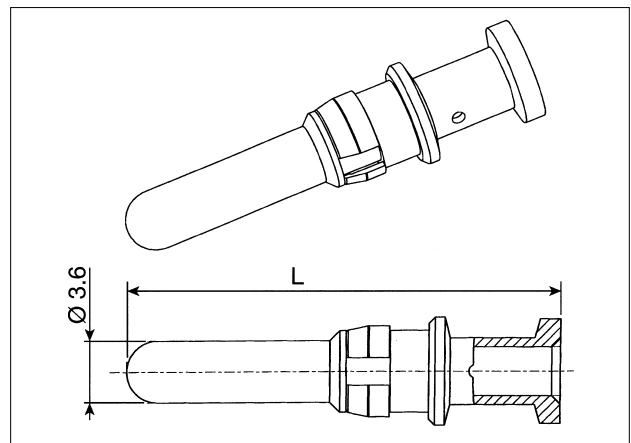
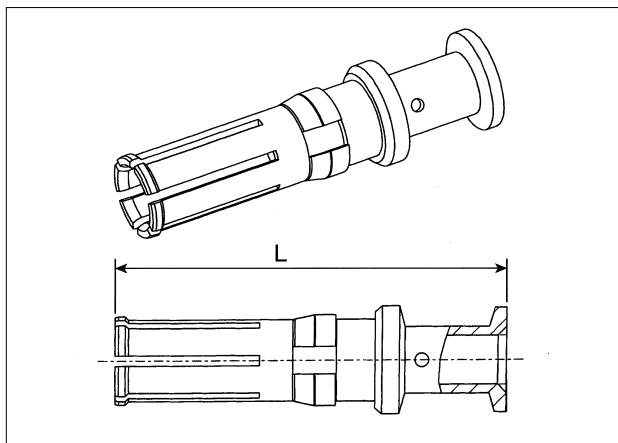
# Power contacts 8291



## Contacts # 12 (2.4 mm)



## Contacts # 8 (3.6 mm)



## How to order

Part number		Contact size	Contact diameter	Cable		Locator	Extraction tooling		
Pin	Socket			Section				Insulator diameter	
				mm <sup>2</sup>	AWG				
		mm	mm <sup>2</sup>	AWG	mm				
82911437NA	82911436A	# 12	2.4	0.5	20	4.9	M317	VGE10077A	51060210924
82911435NA	82911434A			0.75-1.0	18				
82911463NA	82911462A			1.5	16				
82911465NA	82911464A			2.5	14				
82911437NK	82911436K	# 12	2.4	0.5	20	4.9	M317	VGE10077A	51060210924
82911435NK	82911434K			0.75-1.0	18				
82911463NK	82911462K			1.50	16				
82911465NK	82911464K			2.5	14				
82913601A	82913600A	# 8	3.6	1.5	16	6.5	M317	VGE10078A	51060210936
82913603A	82913602A			2.5	14				
82913605A	82913604A			4	12				
82913607A	82913606A			6	10				
82913609A	82913608A			10	8				