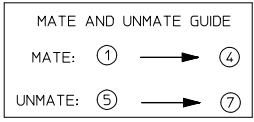
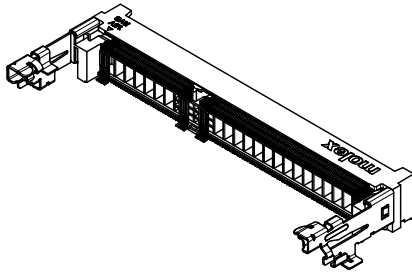
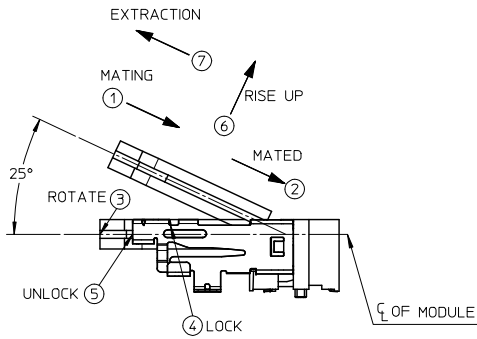


- NOTE:
- MATERIAL:
HOUSING: LCP - UL94V-0, COLOUR: BLACK
CONTACTS: COPPER ALLOY
LOCK LEVER: STAINLESS STEEL
 - FINISHES:
CONTACT AREA: REFER TABLE IN SHEET 2
SOLDER TAIL AREA: REFER TABLE IN SHEET 2
LOCK LEVER SOLDER PAD: 100 MICROINCH / 2.54 MICROMETER MATTE TIN OVER 50 MICROINCH / 1.27 MICROMETER NICKEL
 - PRODUCT SPEC AS PER PS-78193-001, PS-78193-002, PS-78193-003
 - PACKAGING SPEC: PART SHALL BE PACKED IN TRAY / TAPE & REEL
 - RECOMMENDED MODULE LAYOUT SHALL BE AS PER JEDEC MO-268
- △ EDGE OF CONTACT PADS SHALL BE FREE OF BURRS AND EXTERNAL TIE BARS
- △ THE ADDITION OF THIS BEVEL IS A FABRICATION OPTION AND IS NOT REQUIRED. THE BEVEL AIDS THE INSERTION OF THE MODULES INTO THE CONNECTOR
- △ THE BEVEL MUST NOT HIT THE GOLD PADS
8. COPLANARITY INCLUDES HOLD DOWN 0.1 MAX
9. SUPPLY VOLTAGE TO BE INDICATED ON HOUSING
10. MOLEX LOGO, DATE CODE & PART NO. TO BE INDICATED ON HOUSING

ADD DIMS IEC NO: S2010-0081 2009/08/17 DRW: MILEE01 2009/08/17 CHK: CGJAN APPR: SHLENI 2009/08/18 REV DESCRIPTION	QUALITY SYMBOLS	GENERAL TOLERANCES (UNLESS SPECIFIED)	DIMENSION STYLE MM ONLY	SCALE NTS	DESIGN UNITS METRIC	THIRD ANGLE PROJECTION																																		
	$\nabla=0$ $\nabla=0$	<table border="1"> <tr><th></th><th>mm</th><th>INCH</th></tr> <tr><td>4 PLACES</td><td>± ---</td><td>± ---</td></tr> <tr><td>3 PLACES</td><td>± ---</td><td>± ---</td></tr> <tr><td>2 PLACES</td><td>± 0.2</td><td>± ---</td></tr> <tr><td>1 PLACE</td><td>± ---</td><td>± ---</td></tr> </table>		mm	INCH	4 PLACES	± ---	± ---	3 PLACES	± ---	± ---	2 PLACES	± 0.2	± ---	1 PLACE	± ---	± ---	<table border="1"> <tr><th></th><th>mm</th><th>INCH</th></tr> <tr><td>ANGULAR</td><td>± 2°</td><td></td></tr> </table>		mm	INCH	ANGULAR	± 2°		<table border="1"> <tr><th>DRAWN BY</th><th>DATE</th></tr> <tr><td>VMANICKAM</td><td>2007/04/11</td></tr> <tr><th>CHECKED BY</th><th>DATE</th></tr> <tr><td>CCTEH</td><td>2007/05/03</td></tr> <tr><th>APPROVED BY</th><th>DATE</th></tr> <tr><td>SHLENI</td><td>2007/05/04</td></tr> </table>	DRAWN BY	DATE	VMANICKAM	2007/04/11	CHECKED BY	DATE	CCTEH	2007/05/03	APPROVED BY	DATE	SHLENI	2007/05/04	TITLE DDR3 SODIMM, 0.6MM PITCH 204 CKTS, 9.2MM HEIGHT REVERSE ORIENTATION		
		mm	INCH																																					
	4 PLACES	± ---	± ---																																					
3 PLACES	± ---	± ---																																						
2 PLACES	± 0.2	± ---																																						
1 PLACE	± ---	± ---																																						
	mm	INCH																																						
ANGULAR	± 2°																																							
DRAWN BY	DATE																																							
VMANICKAM	2007/04/11																																							
CHECKED BY	DATE																																							
CCTEH	2007/05/03																																							
APPROVED BY	DATE																																							
SHLENI	2007/05/04																																							
DRAFT WHERE APPLICABLE MUST REMAIN WITHIN DIMENSIONS	SEE TABLE	MATERIAL NO.	DOCUMENT NO.	SHEET NO.																																				
		SIZE A3	THIS DRAWING CONTAINS INFORMATION THAT IS PROPRIETARY TO MOLEX INCORPORATED AND SHOULD NOT BE USED WITHOUT WRITTEN PERMISSION																																					

10 9 8 7 6 5 4 3 2 1

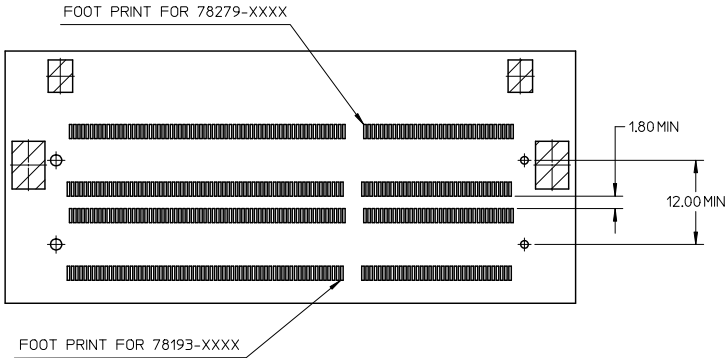
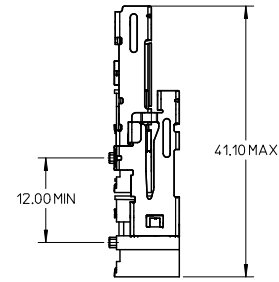
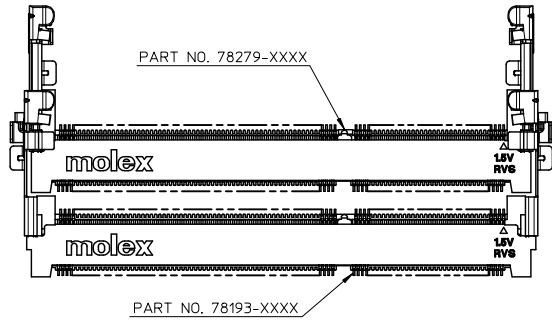
PART NO	CONTACT AREA FINISH	SOLDER TAIL FINISH	PACKAGING	PRODUCT SPECIFICATION
78193-0001	34N/0.0764M GOLD OVER 504N/1.274M NICKEL	1004N/2.544M MATTE TIN OVER 504N/1.274M NICKEL.	TRAY (360MMX165MM)	PS-78193-003
78193-1501	154N/0.384M GOLD OVER 504N/1.274M NICKEL			PS-78193-002
78193-3001	304N/0.764M GOLD OVER 504N/1.274M NICKEL			PS-78193-001
78193-0002	34N/0.0764M GOLD OVER 504N/1.274M NICKEL	24N/0.0514M GOLD OVER 504N/1.274M NICKEL.	16 CAVITY	PS-78193-003
78193-1502	154N/0.384M GOLD OVER 504N/1.274M NICKEL			PS-78193-002
78193-3002	304N/0.764M GOLD OVER 504N/1.274M NICKEL			PS-78193-001
78193-0011	34N/0.0764M GOLD OVER 504N/1.274M NICKEL	1004N/2.544M MATTE TIN OVER 504N/1.274M NICKEL.	TAPE & REEL	PS-78193-003
78193-1511	154N/0.384M GOLD OVER 504N/1.274M NICKEL			PS-78193-002
78193-3011	304N/0.764M GOLD OVER 504N/1.274M NICKEL			PS-78193-001
78193-0012	34N/0.0764M GOLD OVER 504N/1.274M NICKEL	24N/0.0514M GOLD OVER 504N/1.274M NICKEL.	TAPE & REEL	PS-78193-003
78193-1512	154N/0.384M GOLD OVER 504N/1.274M NICKEL			PS-78193-002
78193-3012	304N/0.764M GOLD OVER 504N/1.274M NICKEL			PS-78193-001



ADD DIMS EEC NO: S2010-0081 DRAWN: MLEE01 CHECKED: CJAN APPR: SHLENI 2009/08/17 2009/08/17 2009/08/18	QUALITY SYMBOLS ▽=0 ▽=0	GENERAL TOLERANCES (UNLESS SPECIFIED) <table border="1"> <tr> <th></th> <th>mm</th> <th>INCH</th> </tr> <tr> <td>4 PLACES</td> <td>± ---</td> <td>± ---</td> </tr> <tr> <td>3 PLACES</td> <td>± ---</td> <td>± ---</td> </tr> <tr> <td>2 PLACES</td> <td>± 0.2</td> <td>± ---</td> </tr> <tr> <td>1 PLACE</td> <td>± ---</td> <td>± ---</td> </tr> <tr> <td colspan="3">ANGULAR ± 2 °</td> </tr> </table>		mm	INCH	4 PLACES	± ---	± ---	3 PLACES	± ---	± ---	2 PLACES	± 0.2	± ---	1 PLACE	± ---	± ---	ANGULAR ± 2 °			DIMENSION STYLE MM ONLY	SCALE NTS	DESIGN UNITS METRIC	THIRD ANGLE PROJECTION
		mm	INCH																					
	4 PLACES	± ---	± ---																					
	3 PLACES	± ---	± ---																					
2 PLACES	± 0.2	± ---																						
1 PLACE	± ---	± ---																						
ANGULAR ± 2 °																								
DRAWN BY: VMANICKAM CHECKED BY: CCTEH APPROVED BY: SHLENI DATE: 2007/04/11 DATE: 2007/05/03 DATE: 2007/05/04	TITLE DDR3 SODIMM, 0.6MM PITCH 204 CKTS, 9.2MM HEIGHT REVERSE ORIENTATION	MOLEX INCORPORATED	MATERIAL NO. SEE TABLE	DOCUMENT NO. SD-78193-001	SHEET NO. 2 OF 7	THIS DRAWING CONTAINS INFORMATION THAT IS PROPRIETARY TO MOLEX INCORPORATED AND SHOULD NOT BE USED WITHOUT WRITTEN PERMISSION																		
DRAFT WHERE APPLICABLE MUST REMAIN WITHIN DIMENSIONS	SIZE A3																							

10 9 8 7 6 5 4 3 2 1

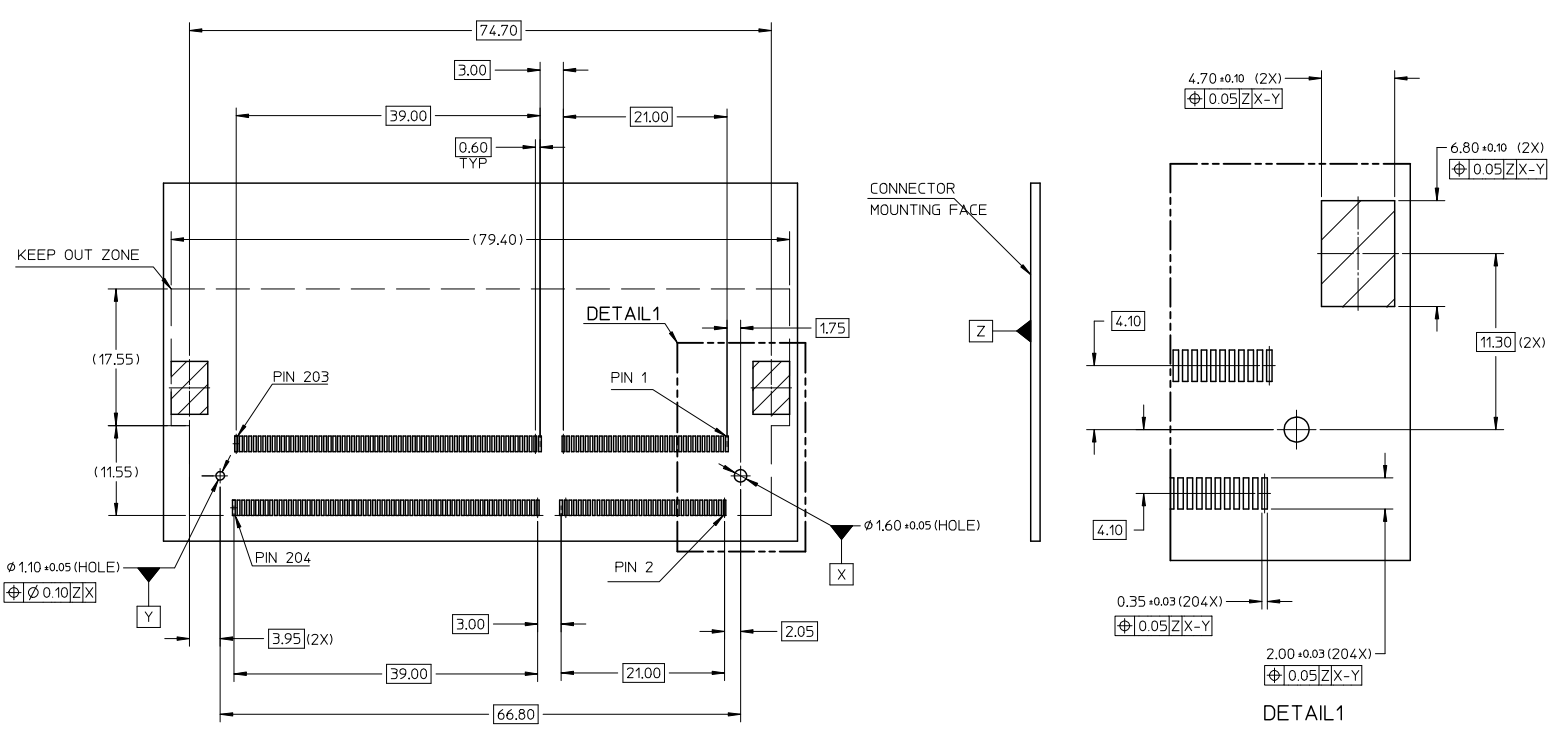
FOR STACKING APPLICATION



ADD DIMS EEC NO: S2010-0081 DRAWN: MILEE01 CHECKED: TAN APPR: SILENI 2009/08/17 2009/08/17 2009/08/18	DESCRIPTION B3	QUALITY SYMBOLS	GENERAL TOLERANCES (UNLESS SPECIFIED) mm INCH	DIMENSION STYLE	SCALE	DESIGN UNITS	THIRD ANGLE PROJECTION
		▽=0 ▽=0		MM ONLY	NTS	METRIC	☉
		4 PLACES ± --- ± --- 3 PLACES ± --- ± --- 2 PLACES ± 0.2 ± --- ± --- 1 PLACE ± --- ± ---	DRAWN BY: VMANICKAM CHECKED BY: CCTEH APPROVED BY: SILENI DATE: 2007/04/11 DATE: 2007/05/03 DATE: 2007/05/04	TITLE	DDR3 SODIMM, 0.6MM PITCH 204 CKTS, 9.2MM HEIGHT REVERSE ORIENTATION		
		ANGULAR ± 2 ° DRAFT WHERE APPLICABLE MUST REMAIN WITHIN DIMENSIONS	MATERIAL NO. SEE TABLE SIZE A3	MOLEX INCORPORATED DOCUMENT NO. SD-78193-001	SHEET NO. 3 OF 7		

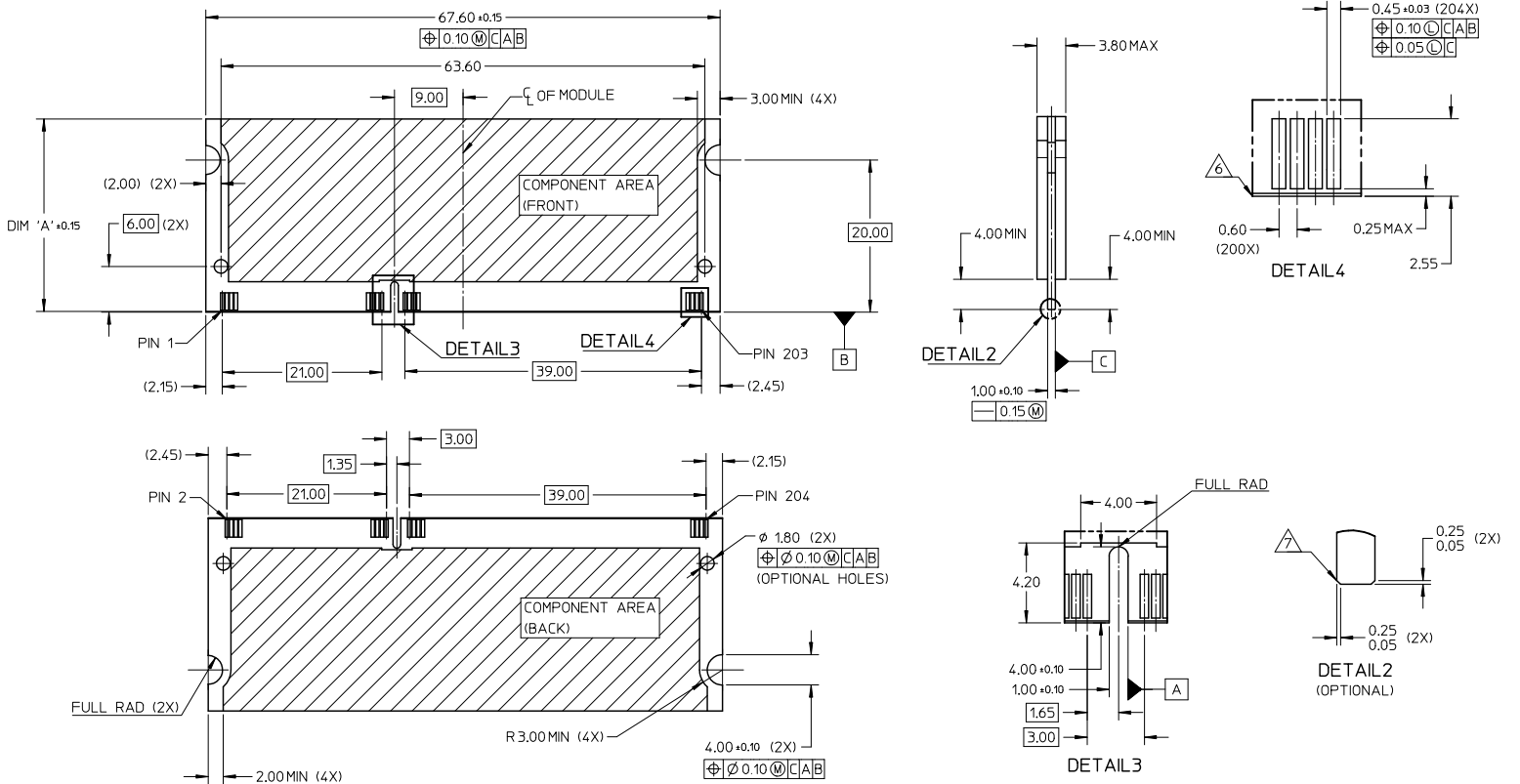
9 8 7 6 5 4 3 2 1

RECOMMENDED PCB LAYOUT FOR 9.2MM HT REVERSE ORIENTATION (TOP VIEW)



ADD DIMS EEC NO: S2010-0081 DRAWN: MILEE01 CHECKED: GJAN APPR: SHLENI 2009/08/17 2009/08/17 2009/08/18	QUALITY SYMBOLS ▽=0 ▽=0	GENERAL TOLERANCES (UNLESS SPECIFIED) mm INCH 4 PLACES ± --- ± --- 3 PLACES ± --- ± --- 2 PLACES ± 0.2 ± --- 1 PLACE ± --- ± --- ANGULAR ± 2°	DIMENSION STYLE MM ONLY DRAWN BY: VMANICKAM DATE: 2007/04/11 CHECKED BY: CCTEH DATE: 2007/05/03 APPROVED BY: SHLENI DATE: 2007/05/04	SCALE NTS DESIGN UNITS METRIC THIRD ANGLE PROJECTION	TITLE DDR3 SODIMM, 0.6MM PITCH 204 CKTS, 9.2MM HEIGHT REVERSE ORIENTATION MOLEX INCORPORATED
	DRAFT WHERE APPLICABLE MUST REMAIN WITHIN DIMENSIONS	MATERIAL NO. SEE TABLE	DOCUMENT NO. SD-78193-001	SHEET NO. 4 OF 7	
	THIS DRAWING CONTAINS INFORMATION THAT IS PROPRIETARY TO MOLEX INCORPORATED AND SHOULD NOT BE USED WITHOUT WRITTEN PERMISSION				
	SIZE A3				

RECOMMENDED MATING MODULE CONFIGURATION



SDRAM VARIATIONS FROM JEDEC MO-268

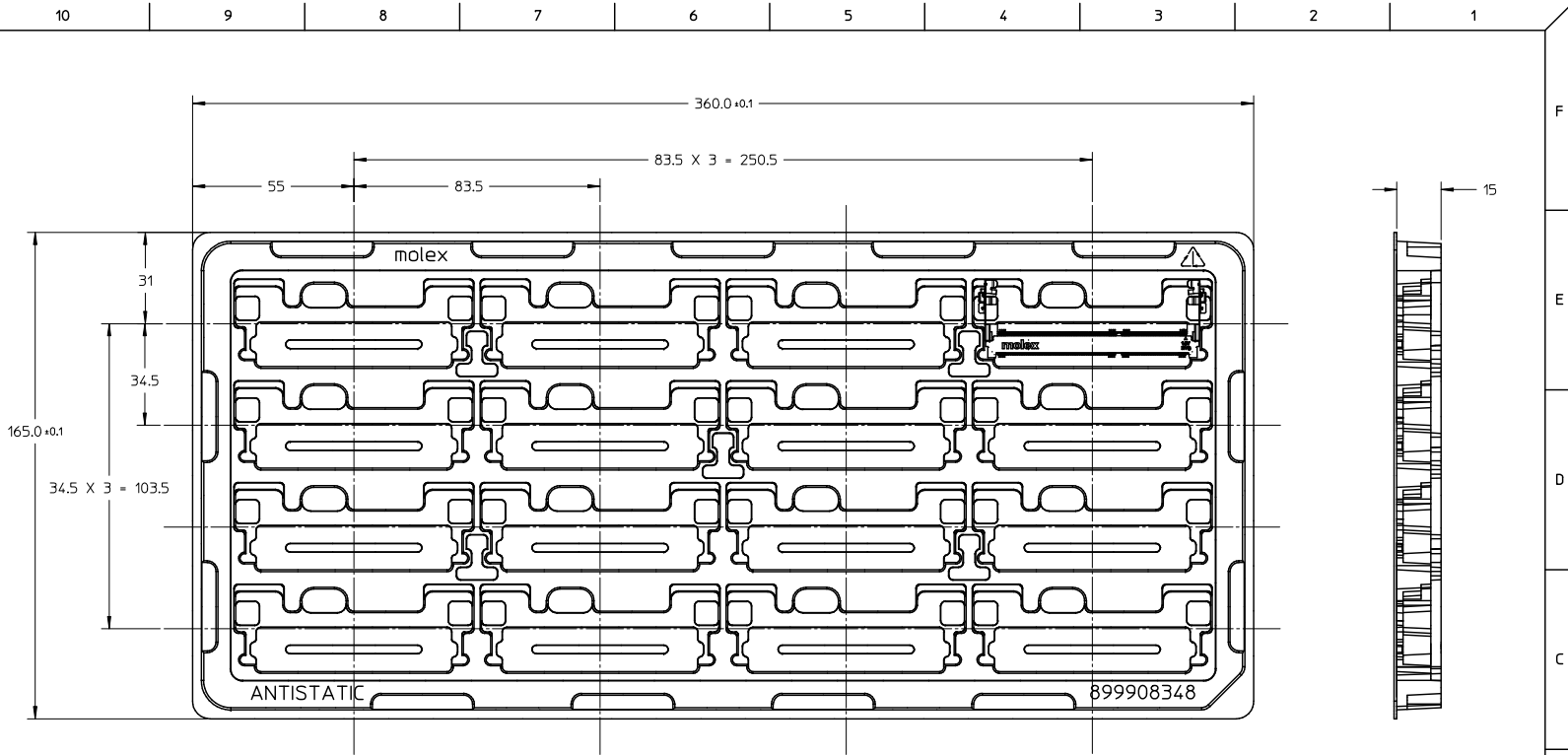
	AA	BB	CC
DIM 'A'	25.40	31.75	30.00

ADD DIMS
 ELEC NO: SZ2010-0081
 DRAWN BY: VMANICKAM
 CHECKED BY: C CTEH
 APPR: SHLENI
 DATE: 2009/08/17

QUALITY SYMBOLS	GENERAL TOLERANCES (UNLESS SPECIFIED)	
	mm	INCH
$\nabla = 0$	4 PLACES ± ---	± ---
$\nabla = 0$	3 PLACES ± ---	± ---
	2 PLACES ± 0.2	± ---
	1 PLACE ± ---	± ---
	ANGULAR ± 2 °	

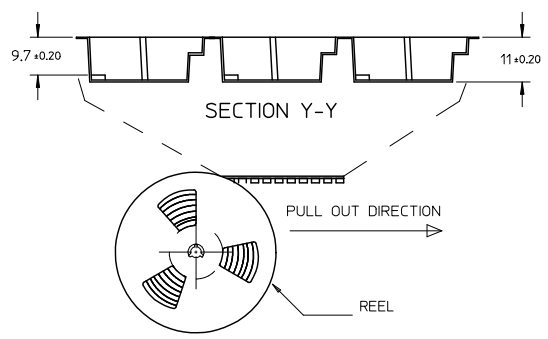
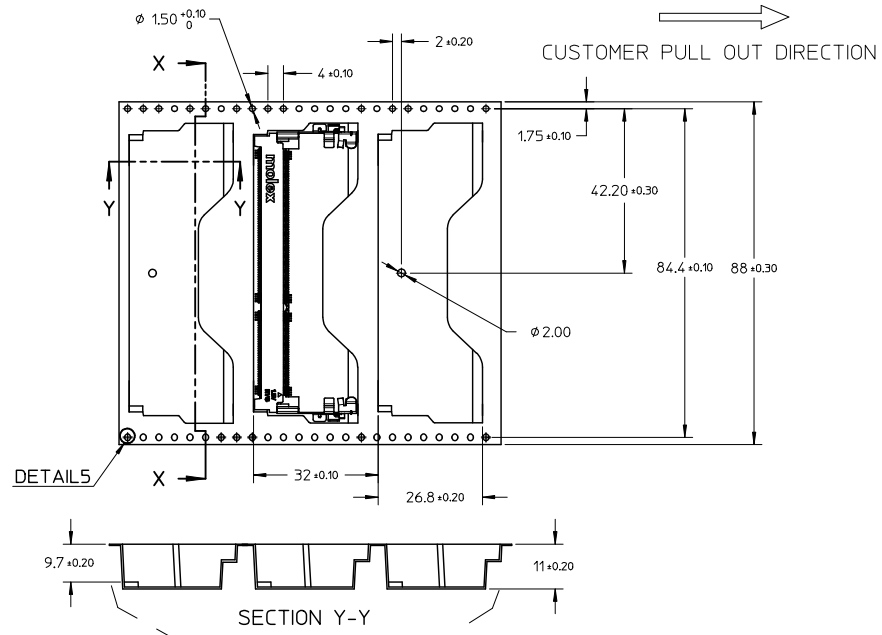
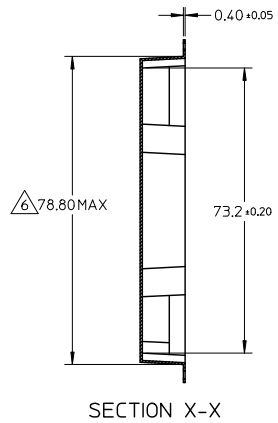
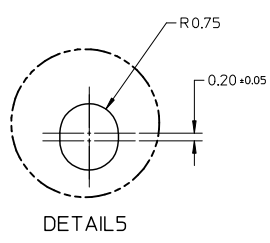
DRAFT WHERE APPLICABLE MUST REMAIN WITHIN DIMENSIONS

DIMENSION STYLE		SCALE	DESIGN UNITS	THIRD ANGLE PROJECTION
MM ONLY		NTS	METRIC	
DRAWN BY	DATE	TITLE		
VMANICKAM	2007/04/11	DDR3 SODIMM, 0.6MM PITCH		
CHECKED BY	DATE	204 CKTS, 9.2MM HEIGHT		
C CTEH	2007/05/03	REVERSE ORIENTATION		
APPROVED BY	DATE	MOLEX INCORPORATED		
SHLENI	2007/05/04	SD-78193-001		
MATERIAL NO.	DOCUMENT NO.	SHEET NO.		
SEE TABLE		5 OF 7		



ADD DIMS IEC NO: S2010-0081 B3 2009/08/17 CHYKCGTAN APPR:SHLENI 2009/08/18	QUALITY SYMBOLS ▽=0 ▽=0	GENERAL TOLERANCES (UNLESS SPECIFIED)		DIMENSION STYLE MM ONLY		SCALE NTS	DESIGN UNITS METRIC	THIRD ANGLE PROJECTION	
			mm	INCH	DRAWN BY VMANICKAM	DATE 2007/04/11	TITLE DDR3 SODIMM, 0.6MM PITCH 204 CKTS, 9.2MM HEIGHT REVERSE ORIENTATION		
		4 PLACES	± ---	± ---	CHECKED BY CCTEH	DATE 2007/05/03	MOLEX INCORPORATED		
		3 PLACES	± ---	± ---	APPROVED BY SHLENI	DATE 2007/05/04	MATERIAL NO. SEE TABLE	DOCUMENT NO. SD-78193-001	SHEET NO. 6 OF 7
DRAFT WHERE APPLICABLE MUST REMAIN WITHIN DIMENSIONS		2 PLACES	± 0.2	± ---	THIS DRAWING CONTAINS INFORMATION THAT IS PROPRIETARY TO MOLEX INCORPORATED AND SHOULD NOT BE USED WITHOUT WRITTEN PERMISSION				
		1 PLACE	± ---	± ---					
		ANGULAR ± 2 °							

10 9 8 7 6 5 4 3 2 1



- NOTES:
- LEADER AND TRAILER TAPE
 - PEELING OFF FORCE OF THE TOP TAPE: 20 - 150gf.
 (PEELING DIRECTION AS SHOWN IN FOLLOWING FIGURE)
 - TAPE AND REEL SPECIFICATION IS AS PER EIA-481 EXCEPT \triangle
 - TAPE AND REEL QUANTITY : 150 PCS/ REEL.
 - THE TAPE IS TREATED FOR ANTI-STATIC.
 - \triangle DIMENSION NOT CONFORMING TO EIA-481

ADD DIMS EIC NO: SZ2010-0081 DRAWN: MILEE01 CHECKED: AN APPR: SHLENI 2009/08/17 2009/08/17 2009/08/18	QUALITY SYMBOLS	GENERAL TOLERANCES (UNLESS SPECIFIED)	DIMENSION STYLE	SCALE	DESIGN UNITS	THIRD ANGLE PROJECTION
	$\nabla=0$	mm INCH	MM ONLY	NTS	METRIC	
	$\nabla=0$	4 PLACES ± --- ± ---	DRAWN BY	DATE	TITLE	
		3 PLACES ± --- ± ---	VMANICKAM	2007/04/11	DDR3 SODIMM, 0.6MM PITCH	
	2 PLACES ± 0.2 ± ---	2 PLACES ± 0.2 ± ---	CCTEH	2007/05/03	204 CKTS, 9.2MM HEIGHT	
	1 PLACE ± --- ± ---	1 PLACE ± --- ± ---	SHLENI	2007/05/04	REVERSE ORIENTATION	
		ANGULAR ± 2 °			MOLEX INCORPORATED	
		DRAFT WHERE APPLICABLE MUST REMAIN WITHIN DIMENSIONS	SEE TABLE		SD-78193-001	
			MATERIAL NO.	DOCUMENT NO.		
			SIZE			
			A3			
			THIS DRAWING CONTAINS INFORMATION THAT IS PROPRIETARY TO MOLEX INCORPORATED AND SHOULD NOT BE USED WITHOUT WRITTEN PERMISSION			

tb_frame_A3_P_AM_T
Rev. E 2006/04/15

9 8 7 6 5 4 3 2 1