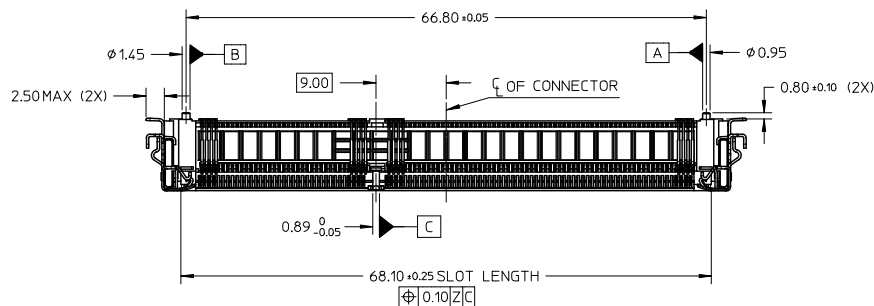
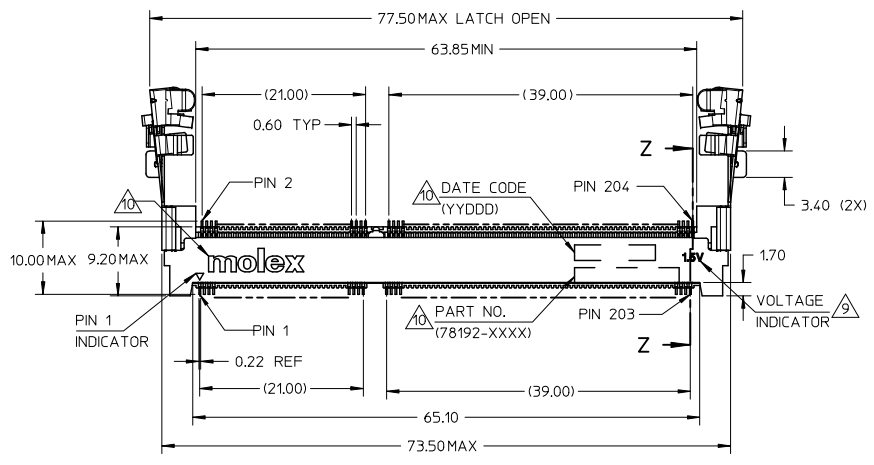
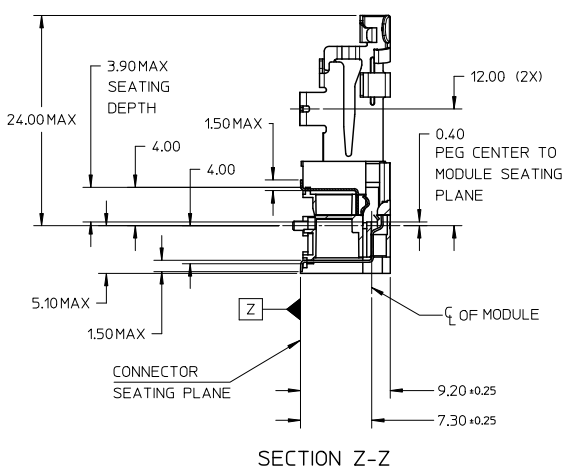


10 9 8 7 6 5 4 3 2 1



- NOTE:
- MATERIAL:  
HOUSING: LCP - UL94V-0, COLOUR: BLACK  
CONTACTS: COPPER ALLOY  
LOCK LEVER: STAINLESS STEEL
  - FINISHES:  
CONTACT AREA: REFER TO TABLE IN SHEET 2  
SOLDERTAIL AREA: REFER TO TABLE IN SHEET 2  
LOCK LEVER SOLDER PAD: 100 MICROINCH / 2.54 MICROMETER MATTE TIN  
OVER 50 MICROINCH / 1.27 MICROMETER NICKEL
  - PRODUCT SPEC AS PER PS-78192-001, PS-78192-002, PS-78192-003
  - PACKAGING SPEC: PART SHALL BE PACKED IN TRAY / TAPE & REEL
  - RECOMMENDED MODULE LAYOUT SHALL BE AS PER JEDEC MO-268
- △ EDGE OF CONTACT PADS SHALL BE FREE OF BURRS AND EXTERNAL TIE BARS
- △ THE ADDITION OF THIS BEVEL IS A FABRICATION OPTION AND IS NOT REQUIRED. THE BEVEL AIDS THE INSERTION OF THE MODULES INTO THE CONNECTOR THE BEVEL MUST NOT HIT THE GOLD PADS
8. COPLANARITY INCLUDES HOLD DOWN 0.1 MAX
9. SUPPLY VOLTAGE TO BE INDICATED ON HOUSING
10. MOLEX LOGO, DATE CODE & PART NO. TO BE INDICATED ON HOUSING

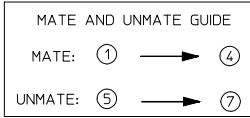
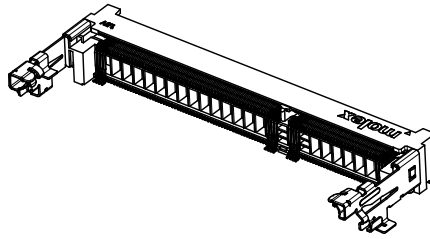
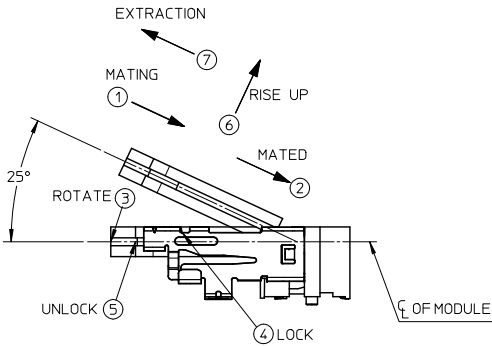
ADD DIMS ELC NO: S2010-0081 DRAWN: DWLEED01 CHECKED: CHYKCGTAN APPR: SHLENI 2009/08/17 2009/08/17 2009/08/18	DESCRIPTION B3	QUALITY SYMBOLS	GENERAL TOLERANCES (UNLESS SPECIFIED)	DIMENSION STYLE MM ONLY	SCALE NTS	DESIGN UNITS METRIC	THIRD ANGLE PROJECTION																													
		$\nabla=0$ $\nabla=0$	<table border="1"> <tr> <th></th> <th>mm</th> <th>INCH</th> </tr> <tr> <td>4 PLACES</td> <td>± ---</td> <td>± ---</td> </tr> <tr> <td>3 PLACES</td> <td>± ---</td> <td>± ---</td> </tr> <tr> <td>2 PLACES</td> <td>± 0.2</td> <td>± ---</td> </tr> <tr> <td>1 PLACE</td> <td>± ---</td> <td>± ---</td> </tr> <tr> <td colspan="3">ANGULAR ± 1°</td> </tr> </table>		mm	INCH	4 PLACES	± ---	± ---	3 PLACES	± ---	± ---	2 PLACES	± 0.2	± ---	1 PLACE	± ---	± ---	ANGULAR ± 1°			<table border="1"> <tr> <td>DRAWN BY</td> <td>DATE</td> </tr> <tr> <td>DWLEED01</td> <td>2007/04/12</td> </tr> <tr> <td>CHECKED BY</td> <td>DATE</td> </tr> <tr> <td>VMANICKAM</td> <td>2007/05/08</td> </tr> <tr> <td>APPROVED BY</td> <td>DATE</td> </tr> <tr> <td>SHLENI</td> <td>2007/05/08</td> </tr> </table>	DRAWN BY	DATE	DWLEED01	2007/04/12	CHECKED BY	DATE	VMANICKAM	2007/05/08	APPROVED BY	DATE	SHLENI	2007/05/08	TITLE	MOLEX INCORPORATED SD-78192-001 SHEET NO. 1 OF 7
			mm	INCH																																
		4 PLACES	± ---	± ---																																
3 PLACES	± ---	± ---																																		
2 PLACES	± 0.2	± ---																																		
1 PLACE	± ---	± ---																																		
ANGULAR ± 1°																																				
DRAWN BY	DATE																																			
DWLEED01	2007/04/12																																			
CHECKED BY	DATE																																			
VMANICKAM	2007/05/08																																			
APPROVED BY	DATE																																			
SHLENI	2007/05/08																																			
DRAFT WHERE APPLICABLE MUST REMAIN WITHIN DIMENSIONS		SEE TABLE	DDR3 SODIMM, 0.6MM PITCH 204 CKTS, 9.2MM HEIGHT STANDARD ORIENTATION																																	
		MATERIAL NO.	DOCUMENT NO.																																	
		SIZE A3	THIS DRAWING CONTAINS INFORMATION THAT IS PROPRIETARY TO MOLEX INCORPORATED AND SHOULD NOT BE USED WITHOUT WRITTEN PERMISSION																																	

tb\_frame\_A3\_P\_AM.T  
Rev. E 2006/04/15

9 8 7 6 5 4 3 2 1

10 | 9 | 8 | 7 | 6 | 5 | 4 | 3 | 2 | 1

PART NO	CONTACT AREA FINISH	SOLDER TAIL FINISH	PACKAGING	PRODUCT SPECIFICATION
78192-0001	34μN/0.076μM GOLD OVER 50μN/1.27μM NICKEL	100μN/2.54μM MATTE TIN OVER 50μN/1.27μM NICKEL.	TRAY (360MMX165MM)	PS-78192-003
78192-1501	15μN/0.38μM GOLD OVER 50μN/1.27μM NICKEL			PS-78192-002
78192-3001	30μN/0.76μM GOLD OVER 50μN/1.27μM NICKEL			PS-78192-001
78192-0002	34μN/0.076μM GOLD OVER 50μN/1.27μM NICKEL	24μN/0.051μM GOLD OVER 50μN/1.27μM NICKEL.	16 CAVITY	PS-78192-003
78192-1502	15μN/0.38μM GOLD OVER 50μN/1.27μM NICKEL			PS-78192-002
78192-3002	30μN/0.76μM GOLD OVER 50μN/1.27μM NICKEL			PS-78192-001
78192-0011	34μN/0.076μM GOLD OVER 50μN/1.27μM NICKEL	100μN/2.54μM MATTE TIN OVER 50μN/1.27μM NICKEL.	TAPE & REEL	PS-78192-003
78192-1511	15μN/0.38μM GOLD OVER 50μN/1.27μM NICKEL			PS-78192-002
78192-3011	30μN/0.76μM GOLD OVER 50μN/1.27μM NICKEL			PS-78192-001
78192-0012	34μN/0.076μM GOLD OVER 50μN/1.27μM NICKEL	24μN/0.051μM GOLD OVER 50μN/1.27μM NICKEL.		PS-78192-003
78192-1512	15μN/0.38μM GOLD OVER 50μN/1.27μM NICKEL			PS-78192-002
78192-3012	30μN/0.76μM GOLD OVER 50μN/1.27μM NICKEL			PS-78192-001

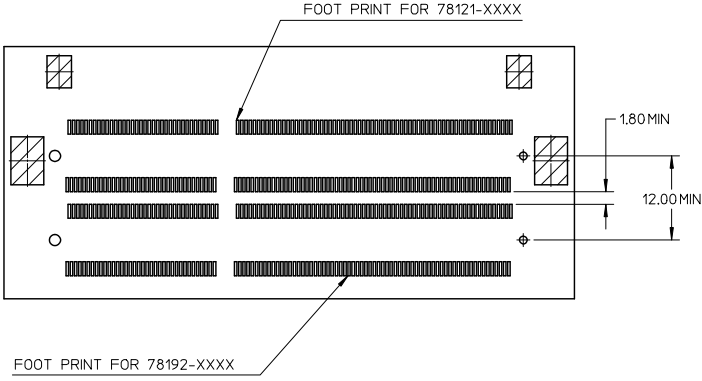
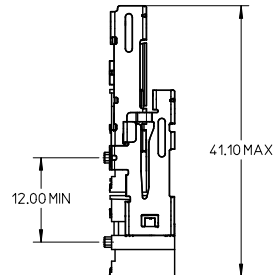
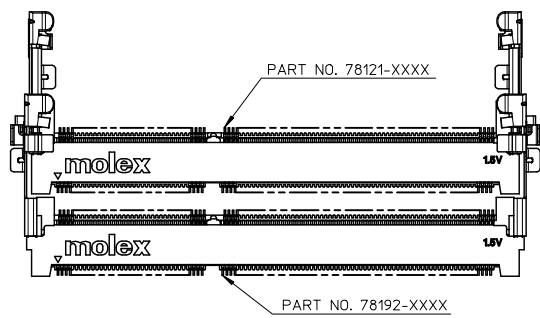


ADD DIMS EEC NO: S2010-0081 DRAWN: DWLEE01 CHECKED: CHYKCGTAN APPR: SHLENI 2009/08/17 2009/08/17 2009/08/18	QUALITY SYMBOLS ▽=0 ▽=0	GENERAL TOLERANCES (UNLESS SPECIFIED) <table border="1"> <tr> <th></th> <th>mm</th> <th>INCH</th> </tr> <tr> <td>4 PLACES</td> <td>± ---</td> <td>± ---</td> </tr> <tr> <td>3 PLACES</td> <td>± ---</td> <td>± ---</td> </tr> <tr> <td>2 PLACES</td> <td>± 0.2</td> <td>± ---</td> </tr> <tr> <td>1 PLACE</td> <td>± ---</td> <td>± ---</td> </tr> <tr> <td colspan="3">ANGULAR ± 1°</td> </tr> </table>		mm	INCH	4 PLACES	± ---	± ---	3 PLACES	± ---	± ---	2 PLACES	± 0.2	± ---	1 PLACE	± ---	± ---	ANGULAR ± 1°			DIMENSION STYLE MM ONLY DRAWN BY: DWLEE01 DATE: 2007/04/12 CHECKED BY: VMANICKAM DATE: 2007/05/08 APPROVED BY: SHLENI DATE: 2007/05/08	SCALE NTS DESIGN UNITS METRIC THIRD ANGLE PROJECTION	TITLE DDR3 SODIMM, 0.6MM PITCH 204 CKTS, 9.2MM HEIGHT STANDARD ORIENTATION MOLEX INCORPORATED
		mm	INCH																				
	4 PLACES	± ---	± ---																				
	3 PLACES	± ---	± ---																				
2 PLACES	± 0.2	± ---																					
1 PLACE	± ---	± ---																					
ANGULAR ± 1°																							
MATERIAL NO. SEE TABLE	DOCUMENT NO. SD-78192-001	SHEET NO. 2 OF 7																					
DRAFT WHERE APPLICABLE MUST REMAIN WITHIN DIMENSIONS		THIS DRAWING CONTAINS INFORMATION THAT IS PROPRIETARY TO MOLEX INCORPORATED AND SHOULD NOT BE USED WITHOUT WRITTEN PERMISSION																					
REV: B3																							

9 | 8 | 7 | 6 | 5 | 4 | 3 | 2 | 1

10 9 8 7 6 5 4 3 2 1

FOR STACKING APPLICATION

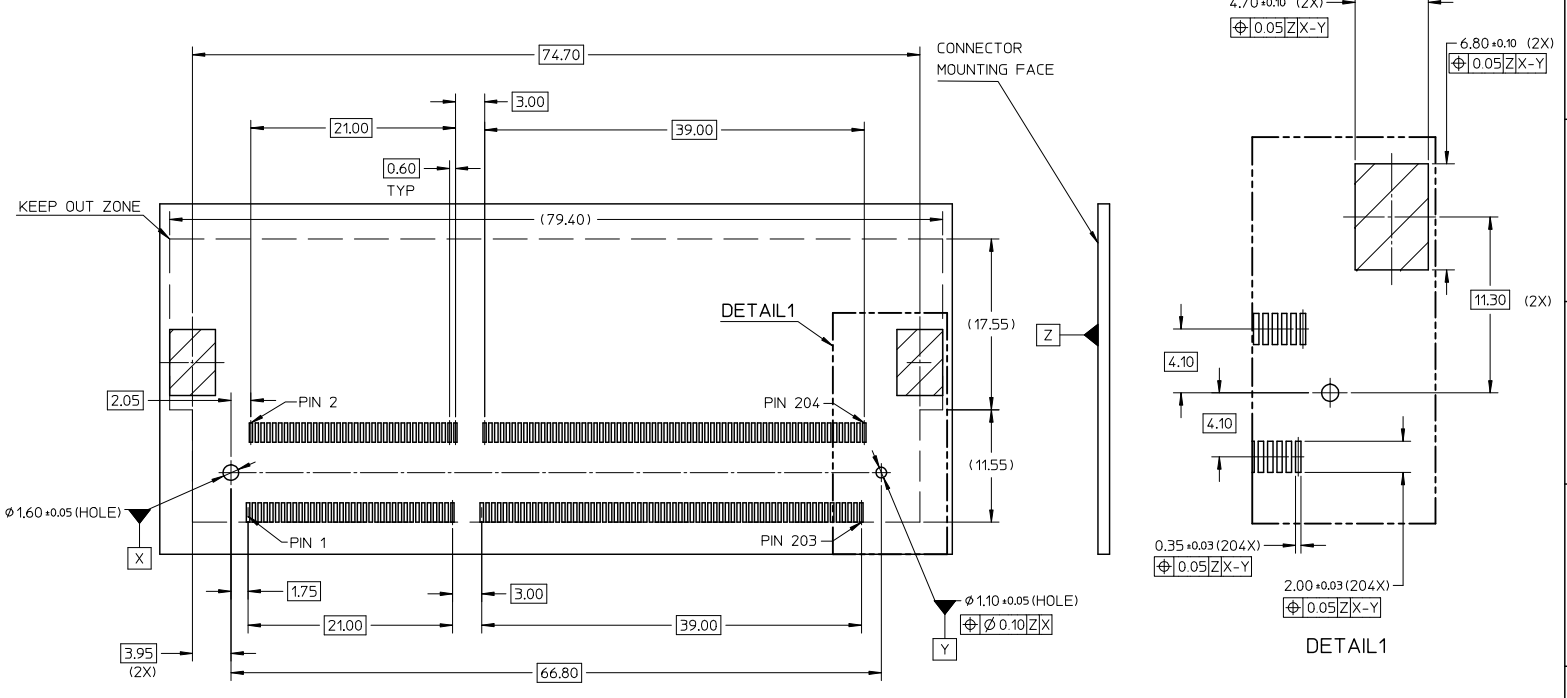


ADD DIMS EEC NO: S2010-0081 DRAWN: DWLEED01 CHECKED: CHYKCGTAN APPR: SHLENI 2009/08/17 2009/08/17 2009/08/18	DESCRIPTION B3	QUALITY SYMBOLS	GENERAL TOLERANCES (UNLESS SPECIFIED)	DIMENSION STYLE	SCALE	DESIGN UNITS	THIRD ANGLE PROJECTION	
		$\nabla=0$ $\nabla=0$	mm    INCH 4 PLACES ± --- ± --- 3 PLACES ± --- ± --- 2 PLACES ± 0.2 ± --- 1 PLACE ± --- ± --- ANGULAR ± 1°	MM ONLY	NTS	METRIC	DRAWN BY: DWLEED01    DATE: 2007/04/12 CHECKED BY: VMANICKAM    DATE: 2007/05/08 APPROVED BY: SHLENI    DATE: 2007/05/08	TITLE: DDR3 SODIMM, 0.6MM PITCH 204 CKTS, 9.2MM HEIGHT STANDARD ORIENTATION
		DRAFT WHERE APPLICABLE MUST REMAIN WITHIN DIMENSIONS	MATERIAL NO. SEE TABLE SIZE: A3	MOLEX INCORPORATED DOCUMENT NO. SD-78192-001	SHEET NO. 3 OF 7			
		THIS DRAWING CONTAINS INFORMATION THAT IS PROPRIETARY TO MOLEX INCORPORATED AND SHOULD NOT BE USED WITHOUT WRITTEN PERMISSION						

tb\_frame\_A3\_P\_AM\_T  
Rev. E 2006/04/15

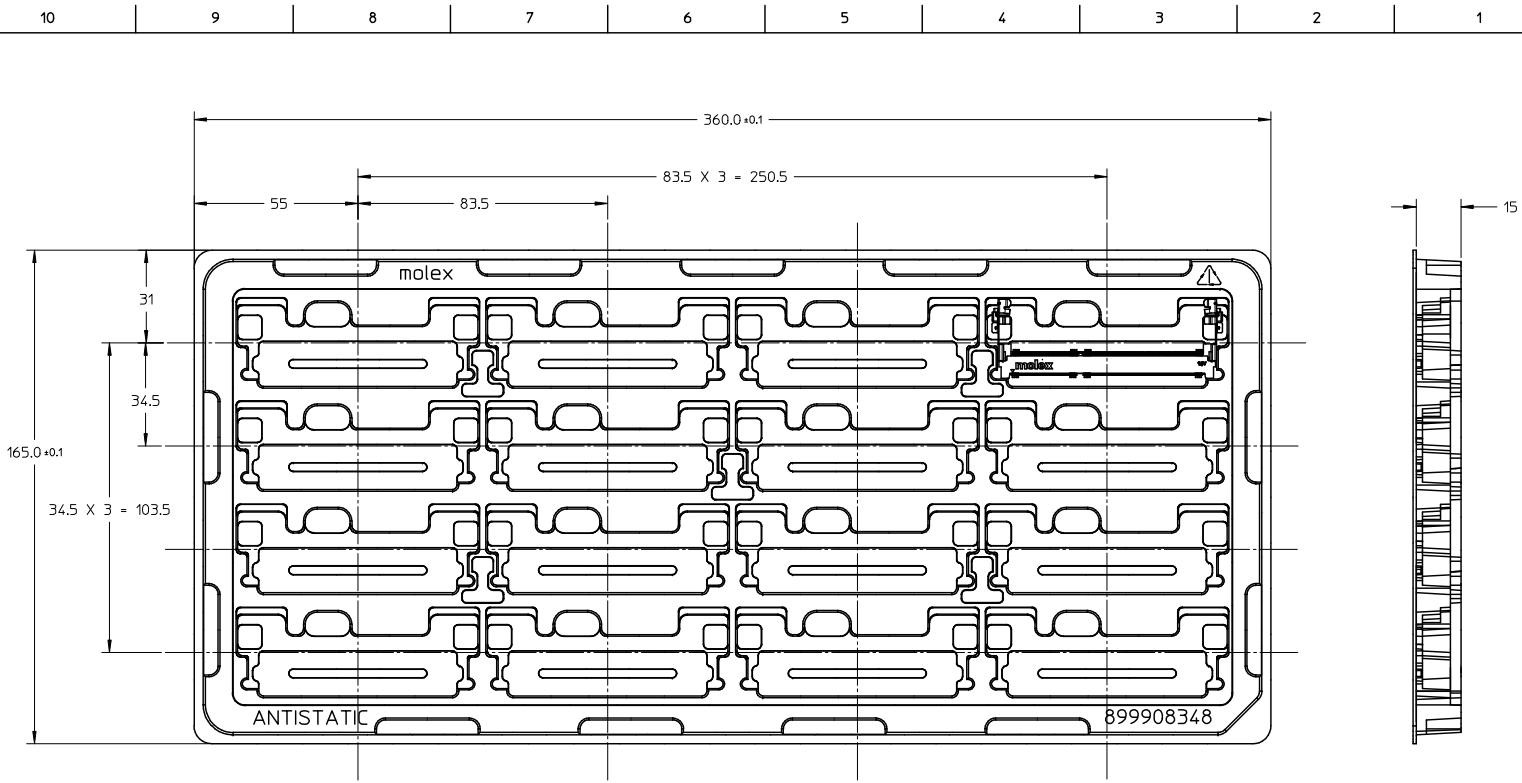
9 8 7 6 5 4 3 2 1

RECOMMENDED PCB LAYOUT FOR 9.2MM HEIGHT STANDARD ORIENTATION (TOP VIEW)



ADD DIMS EEC NO: SZ2010-0081 DRAWN: DWLEE01 CHECKED: CHYKCGTAN APPR: SHLENI 2009/08/17 2009/08/17 2009/08/18	DESCRIPTION B3	QUALITY SYMBOLS	GENERAL TOLERANCES (UNLESS SPECIFIED) mm INCH 4 PLACES ± --- ± --- 3 PLACES ± --- ± --- 2 PLACES ± 0.2 ± --- 1 PLACE ± --- ± --- ANGULAR ± 1°	DIMENSION STYLE	SCALE	DESIGN UNITS	THIRD ANGLE PROJECTION
		MM ONLY		NTS	METRIC		
		DRAWN BY: DWLEE01		DATE: 2007/04/12	TITLE: DDR3 SODIMM, 0.6MM PITCH 204 CKTS, 9.2MM HEIGHT STANDARD ORIENTATION		
		CHECKED BY: VMANICKAM		DATE: 2007/05/08	MOLEX INCORPORATED		
		APPROVED BY: SHLENI	DATE: 2007/05/08	MATERIAL NO. SEE TABLE	DOCUMENT NO. SD-78192-001	SHEET NO. 4 OF 7	
DRAFT WHERE APPLICABLE MUST REMAIN WITHIN DIMENSIONS				THIS DRAWING CONTAINS INFORMATION THAT IS PROPRIETARY TO MOLEX INCORPORATED AND SHOULD NOT BE USED WITHOUT WRITTEN PERMISSION			

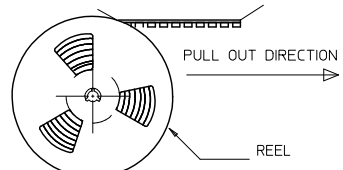
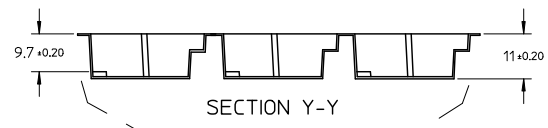
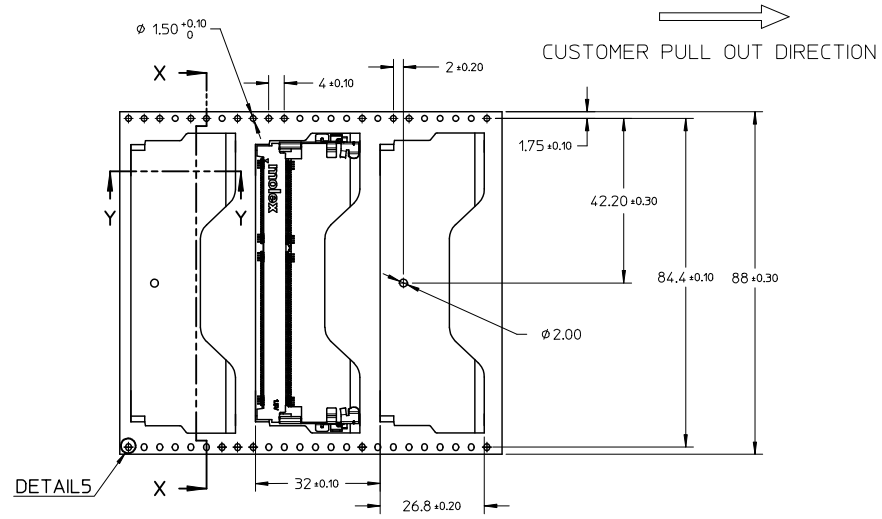
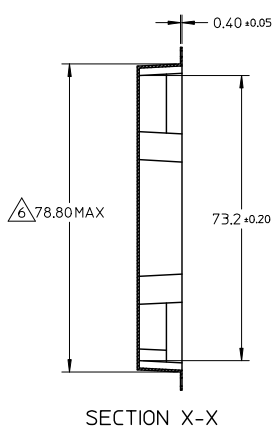
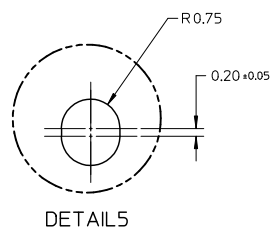




- NOTES:
1. NO. OF CAVITY: 4 X 4 = 16
  2. GENERAL TOLERANCE: 0.50 MM UNLESS STATED

ADD DIMS EDC NO: SZ2010-0081 DRAWN: DWLEED01 CHECKED: CHYKCGTAN APPR: SHLENI 2009/08/17 2009/08/17 2009/08/18	QUALITY SYMBOLS ▽=0 ▽=0	GENERAL TOLERANCES (UNLESS SPECIFIED)		DIMENSION STYLE MM ONLY		SCALE NTS	DESIGN UNITS METRIC	THIRD ANGLE PROJECTION	
		mm	INCH	DRAWN BY DWLEED01	DATE 2007/04/12	TITLE DDR3 SODIMM, 0.6MM PITCH 204 CKTS, 9.2MM HEIGHT STANDARD ORIENTATION			
		4 PLACES ± ---	± ---	CHECKED BY VMANICKAM	DATE 2007/05/08	MOLEX INCORPORATED			
		3 PLACES ± 0.2	± ---	APPROVED BY SHLENI	DATE 2007/05/08	DOCUMENT NO. SD-78192-001			
ANGULAR ± 1 °		DRAFT WHERE APPLICABLE MUST REMAIN WITHIN DIMENSIONS		MATERIAL NO. SEE TABLE		SHEET NO. 6 OF 7		THIS DRAWING CONTAINS INFORMATION THAT IS PROPRIETARY TO MOLEX INCORPORATED AND SHOULD NOT BE USED WITHOUT WRITTEN PERMISSION	

10 9 8 7 6 5 4 3 2 1



- NOTES:
- LEADER AND TRAILER TAPE
  - PEELING OFF FORCE OF THE TOP TAPE: 20 - 150gf.  
 (PEELING DIRECTION AS SHOWN IN FOLLOWING FIGURE)
  - TAPE AND REEL SPECIFICATION IS AS PER EIA-481 EXCEPT  $\triangle$
  - TAPE AND REEL QUANTITY : 150 PCS/ REEL.
  - THE TAPE IS TREATED FOR ANTI-STATIC.
  - $\triangle$  DIMENSION NOT CONFORMING TO EIA-481

ADD DIMS EC NO: S2010-0081 DRAWN: DWLEED01 CHKD: CHYKCGTAN APPR: SHLENI	DESCRIPTION 2009/08/17 2009/08/17 2009/08/18	QUALITY SYMBOLS	GENERAL TOLERANCES (UNLESS SPECIFIED)		DIMENSION STYLE MM ONLY		SCALE NTS	DESIGN UNITS METRIC	THIRD ANGLE PROJECTION
		$\blacktriangledown = 0$ $\nabla = 0$	mm	INCH	DRAWN BY DWLEED01	DATE 2007/04/12	TITLE DDR3 SODIMM, 0.6MM PITCH 204 CKTS, 9.2MM HEIGHT STANDARD ORIENTATION	MOLEX INCORPORATED	
			4 PLACES ± --- ± ---		CHECKED BY VMANICKAM	DATE 2007/05/08	DOCUMENT NO. SD-78192-001		SHEET NO. 7 OF 7
			3 PLACES ± --- ± ---		APPROVED BY SHLENI	DATE 2007/05/08	MATERIAL NO. SEE TABLE		
			2 PLACES ± 0.2 ± ---		SIZE A3				
			1 PLACE ± --- ± ---	ANGULAR ± 1°	THIS DRAWING CONTAINS INFORMATION THAT IS PROPRIETARY TO MOLEX INCORPORATED AND SHOULD NOT BE USED WITHOUT WRITTEN PERMISSION				

tb\_frame\_A3\_P\_AM\_T Rev. E 2006/04/15 9 8 7 6 5 4 3 2 1