

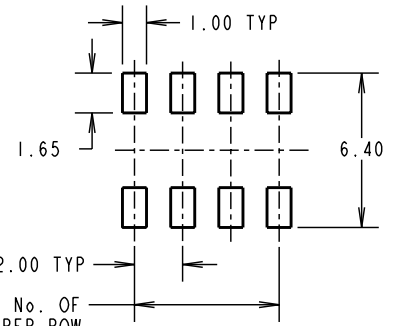
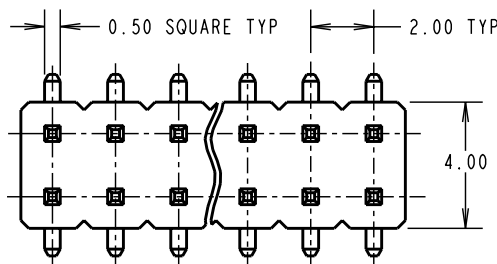
# Customer Information Sheet

DRAWING No.: M22-532XXXX SHEET 3 OF 3 IF IN DOUBT - ASK (C) NOT TO SCALE THIRD ANGLE PROJECTION ALL DIMENSIONS IN mm

**SPECIFICATIONS:**

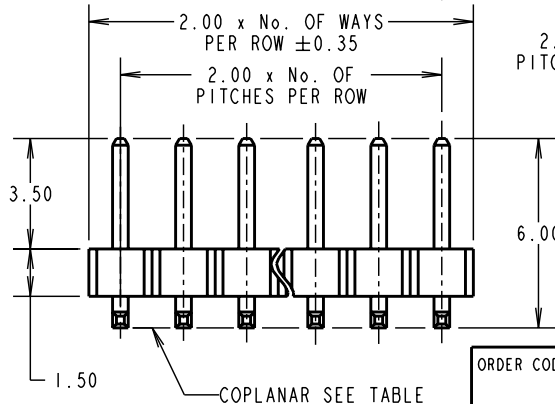
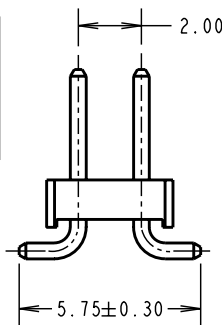
**MATERIAL:**  
 MOULDING = NYLON 6T, UL94V-0, BLACK  
 CONTACTS = PHOSPHOR BRONZE  
**FINISH:**  
 05 = GOLD  
 46 = 100% TIN  
**ELECTRICAL:**  
 CURRENT RATING = 1A  
 CONTACT RESISTANCE = 20 mΩ MAX (GOLD), 30 mΩ MAX (TIN)  
 INSULATION RESISTANCE = 100 MΩ MIN  
**MECHANICAL:**  
 DURABILITY = 300 OPERATIONS (GOLD), 50 OPERATIONS (TIN)  
 DIELECTRIC STRENGTH = 650V AC/DC  
**ENVIRONMENTAL:**  
 TEMPERATURE RANGE = -40°C TO +105°C  
**PACKING:**  
 TUBE

FOR COMPLETE SPECIFICATION, SEE COMPONENT SPECIFICATION CO18XX (LATEST ISSUE)



RECOMMENDED PCB LAYOUT

| No OF CONTACTS | COPLANARITY TOLERANCE |
|----------------|-----------------------|
| 2x02 TO 2x12   | 0.10mm MAX            |
| 2x13 TO 2x20   | 0.15mm MAX            |
| 2x21 TO 2x25   | 0.20mm MAX            |



|                      |      |          |        |
|----------------------|------|----------|--------|
| CP                   | 11   | 12.11.09 | 10564  |
| NAME                 | ISS. | DATE     | C/NOTE |
| APPROVED: C. PENROSE |      |          |        |
| CHECKED: R. ADDE     |      |          |        |
| DRAWN: I. SANDY      |      |          |        |
| CUSTOMER REF.:       |      |          |        |
| ASSEMBLY DRG:        |      |          |        |

ORDER CODE:  
**M22-532XXXX**  
 No. OF WAYS PER ROW \_\_\_\_\_  
 02-25 \_\_\_\_\_  
 FINISH \_\_\_\_\_  
 05 - GOLD  
 46 - 100% TIN

- NOTES:**
- ALL TOLERANCES ARE ±0.25 UNLESS OTHERWISE STATED.
  - SEE DRAWING M22-532XXXXP FOR PICK & PLACE VERSION, M22-532XXXXR FOR TAPE AND REELED.
  - CO-PLANARITY: FLATNESS OF SMT TAILS MUST NOT EXCEED VALUES GIVEN IN TABLE.



**HARWIN USA**  
 TEL: 603 893 5376  
 FAX: 603 893 5396  
 mis@harwin.com

**HARWIN Europe (UK)**  
 TEL: 023 9231 4545  
 FAX: 023 9231 4590  
 mis@harwin.co.uk

**HARWIN Asia**  
 TEL: +65 6 779 4909  
 FAX: +65 6 779 3868  
 mis@harwin.com.sg

THIS DRAWING AND ANY INFORMATION OR DESCRIPTIVE MATTER SET OUT HEREON ARE CONFIDENTIAL AND COPYRIGHT PROPERTY OF THE HARWIN GROUP AND MUST NOT BE DISCLOSED, LOANED, COPIED OR USED FOR MANUFACTURING, TENDERING OR FOR ANY OTHER PURPOSE WITHOUT THEIR WRITTEN PERMISSION.

**TOLERANCES**  
~~X = ± 1mm~~  
~~X.X = ± 0.25mm~~  
~~X.XX = ± 0.10mm~~  
~~X.XXX = ± 0.05mm~~  
 ANGLES = ± 5°  
 UNLESS STATED

**MATERIAL:**  
 SEE ABOVE

**FINISH:**  
 SEE ABOVE

**S/AREA:**  
 mm<sup>2</sup>

**TITLE:**  
 2.00mm PITCH DIL  
 SMT PIN HEADER ASSEMBLY

**DRAWING NUMBER:**  
**M22-532XXXX**

SHT 3 OF 3