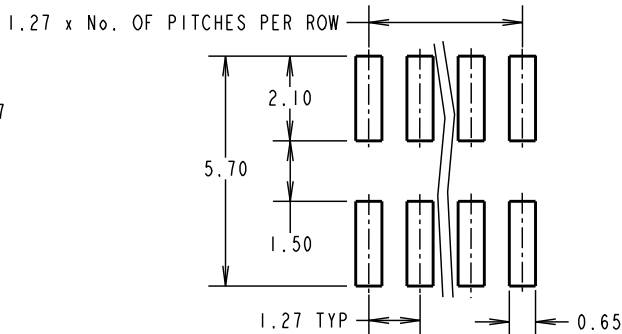
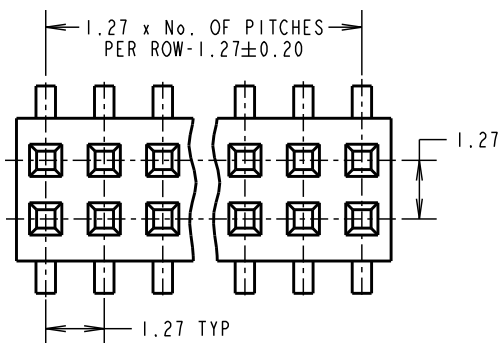


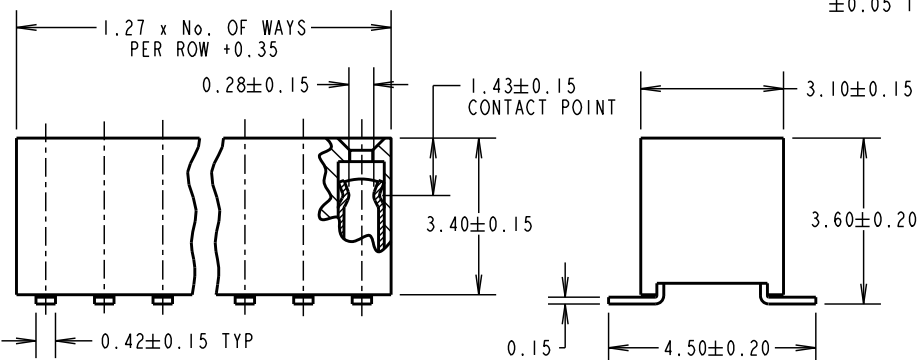
# Customer Information Sheet

DRAWING No.: M50-312XX45 SHEET 2 OF 2 IF IN DOUBT - ASK © NOT TO SCALE THIRD ANGLE PROJECTION ALL DIMENSIONS IN mm



RECOMMENDED PCB LAYOUT  
±0.05 THIS VIEW ONLY

**SPECIFICATIONS:**  
**MATERIAL:**  
 Moulding = NYLON 6T UL94V-0, BLACK  
 CONTACT = PHOSPHOR BRONZE  
**FINISH:**  
 CONTACT = GOLD  
**ELECTRICAL:**  
 VOLTAGE RATING = 250V AC/DC  
 CURRENT RATING = 1A  
 VOLTAGE PROOF = 300V AC, 500V DC FOR 1 MINUTE  
 CONTACT RESISTANCE = 30 MILLIOHMS MAX  
 INSULATION RESISTANCE = 500 MΩ MIN  
**MECHANICAL:**  
 DURABILITY = 100 CYCLES  
 INSERTION FORCE = 2N MAX PER CONTACT  
 WITHDRAWAL FORCE = 0.15N MIN PER CONTACT  
**ENVIRONMENTAL:**  
 OPERATING TEMPERATURE = -55°C TO +105°C  
**PACKING:**  
 TUBE  
 FOR COMPLETE SPECIFICATION, SEE COMPONENT SPECIFICATION C029XX (LATEST ISSUE)



ORDER CODE:  
**M50-312XX45**  
 No. OF WAYS PER ROW — 03 TO 50  
 FINISH: GOLD

SM	9	19.11.10	11025
NAME	ISS.	DATE	C/NOTE
APPROVED: S. MCCULLAGH			
CHECKED: R. ADDE			
DRAWN: J. ENRIGHT			
CUSTOMER REF.:			
ASSEMBLY DRG:			

**HARWIN**

HARWIN USA  
 TEL: 603 893 5376  
 FAX: 603 893 5396  
 mis@harwin.com

HARWIN Europe (UK)  
 TEL: 023 9231 4545  
 FAX: 023 9231 4590  
 mis@harwin.co.uk

HARWIN Asia  
 TEL: +65 6 779 4909  
 FAX: +65 6 779 3868  
 mis@harwin.com.sg

THIS DRAWING AND ANY INFORMATION OR DESCRIPTIVE MATTER SET OUT HEREON ARE CONFIDENTIAL AND COPYRIGHT PROPERTY OF THE HARWIN GROUP AND MUST NOT BE DISCLOSED, LOANED, COPIED OR USED FOR MANUFACTURING, TENDERING OR FOR ANY OTHER PURPOSE WITHOUT THEIR WRITTEN PERMISSION.

**TOLERANCES**  
 X. = ±1mm  
 X.X = ±0.25mm  
 X.XX = ±0.10mm  
 X.XXX = ±0.01mm  
 ANGLES = ±5°  
 UNLESS STATED

**MATERIAL:**  
 SEE ABOVE

**FINISH:**  
 SEE ABOVE

**S/AREA:**  
 mm<sup>2</sup>

**TITLE:**  
 1.27mm PITCH DIL  
 VERTICAL SMT SOCKET ASSY

**DRAWING NUMBER:**  
**M50-312XX45**

SHT 2 OF 2