

PRODUCT NO.	⑥ CONNECTOR	DIM J	DIM K
10085305-0010ELF	10085305-0010ALF	56.4	62.4
10085305-0101ELF	10085305-0101ALF	56.4	62.4
10085305-0901ELF	10085305-0901ALF	56.4	62.4
10085305-0110ELF	10085305-0110ALF	56.4	62.4
10085305-0110PELF	10085305-0110ALF	44.4	50.4
10085305-2010ELF	10085305-2010ALF	56.4	62.4
10085305-2110ELF	10085305-2110ALF	56.4	62.4
10085305-2110PELF	10085305-2110ALF	44.4	50.4
10085305-2101ELF	10085305-2101ALF	56.4	62.4
10085305-4100ELF	10085305-4100ALF	56.4	62.4
10085305-4100PELF	10085305-4100ALF	44.4	50.4

NOTE

1. THIS ARTICLE CARRIES OUT THE EMBOSS TAPE PACKAGE OF THE SLIM LINE SATA CONNECTOR.
2. THE SHAPE AND DIMENSION OF THIS ARTICLE ARE BASED ON JIS C 0806.
(TAPING OF ELECTRIC PARTS < SURFACE MOUNTED DEVICE)
3. PACKAGING SPEC. : REFER TO GS-14-1268
4. PRODUCT SPEC. : REFER TO GS-12-543

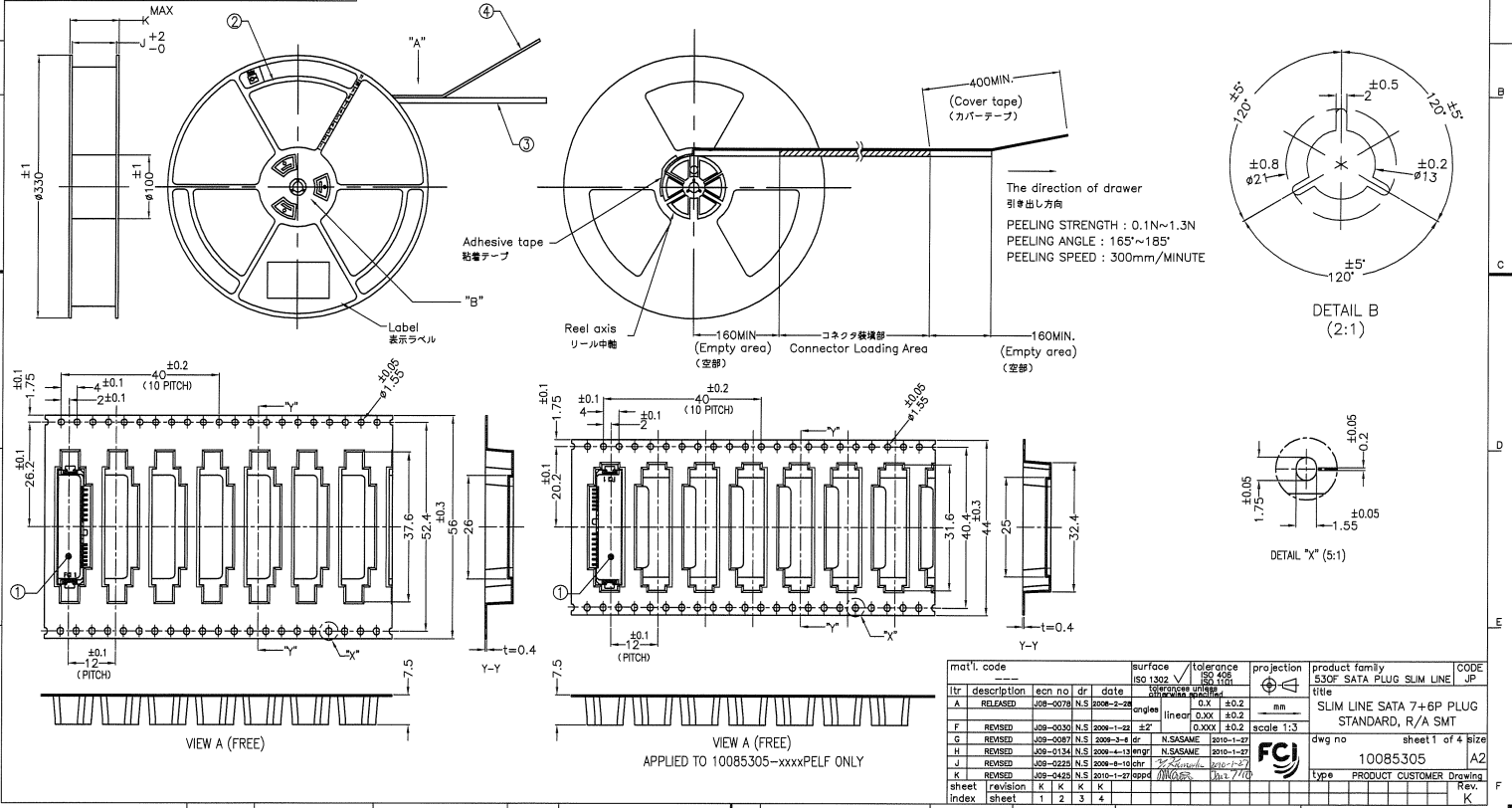
注記

1. 本品はスリムラインシリアルエーティーエーコネクタをエンボステープ梱包したものである。
2. 本品の形状及び寸法規定は JIS C 0806 (電子部品のテーピング (表面実装部品)) に準拠する。
3. 梱包規格は GS-14-1268 を参照のこと
4. 製品規格は GS-12-543 を参照のこと

EMBOSS PACKAGE

PARTS TABLE 部品表

No.	PART NAME 部品名	MATERIAL 材質	QTY.	NOTE 備考
①	CONNECTOR コネクタ	SEE SHEET 2	600	
②	THE REEL FOR PACKAGING 梱包用リール	POLYSTYRENE ポリスチレン	1	Color : BLACK or BLUE ELECTRIFICATION PREVENTION PROCESSING 色 : 黒または青、帯電防止処理法
③	EMBOSS TAPE エンボステープ	PET	1	ELECTRIFICATION PREVENTION PROCESSING 帯電防止処理法
④	COVER TAPE カバーテープ	POLYESTER ポリエステル	1	



itr	description	ecn no	dr	date	surface iso 1302	tolerance iso 406	projection iso 1101	product family	CODE JP
A	RELEASED	008-0078	N.S	2008-02-28	tolerance iso 406	0.1	0.2	SLIM LINE SATA PLUG SLIM LINE STANDARD, R/A SMT	A2
F	REVISED	008-0030	N.S	2008-11-23	linear	0.0XX	0.2	10085305	A2
G	REVISED	008-0087	N.S	2009-3-4	dr	N.SASAME	2010-1-27	10085305	A2
H	REVISED	008-0124	N.S	2009-4-13	dr	N.SASAME	2010-1-27	10085305	A2
J	REVISED	008-0228	N.S	2008-10-09	dr	N.SASAME	2010-1-27	10085305	A2
K	REVISED	008-0428	N.S	2010-1-27	app4	M/KG	2010-1-27	10085305	A2

CONNECTOR ASSY

No.	Part name	QTY.	Note
⑤	HOUSING ハウジング	1	HIGH TEMP THERMOPLASTIC COLOR : BLACK , UL94V-0
⑥	SIGNAL CONTACT シグナルコンタクト	7	COPPER ALLOY CONTACT AREA : Au SOLDERING AREA : Au or TIN
⑦	POWER CONTACT パワーコンタクト	6	COPPER ALLOY CONTACT AREA : Au SOLDERING AREA : Au or TIN
⑧	SOLDER PEG (CENTER) 溶剤金 (中央部)	1	COPPER ALLOY TIN PLATING
⑨	SOLDER PEG (L&R) 溶剤金 (左、右)	2	COPPER ALLOY TIN PLATING

<P/N composition> <P/N 構成>
100B5305 - X X X X X LF

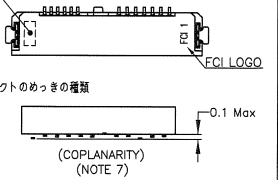
- LEAD-FREE
- PACKAGE SPEC
- E : 56mm WIDTH TAPE AND REEL (EMBOSS ASSY)
- PE : 44mm WIDTH TAPE AND REEL (EMBOSS ASSY)
- T : TRAY (TRAY ASSY)
- A : CONNECTOR ASSY (NOT PACKAGE)
- CONTACT TAIL LENGTH (DIM C)
- 0 : 1.0mm
- 1 : 0.7mm
- SIGNAL CONTACT TAIL WIDTH (DIM B)
- 0 : 0.35mm
- 1 : 0.40mm
- HSG BOSS LENGTH (DIM A)
- 0 : 1.0mm
- 1 : 0.7mm
- 9 : 0mm (WITHOUT BOSS)
- CONTACT PLATING (CONTACT AREA / SOLDERING AREA)
- 0 : GOLD FLASH (0.05μm) / TIN PLATING
- 1 : 0.38μm GOLD PLATING / TIN PLATING
- 2 : 0.76μm GOLD PLATING / TIN PLATING
- 3 : GOLD FLASH (0.05μm) / GOLD FLASH (0.05μm)
- 4 : 0.76μm GOLD PLATING / GOLD FLASH (0.05μm)

NOTE

- MATERIAL : SEE TABLE
- FINISH : SEE TABLE AND P/N COMPOSITION TABLE
- COPLANARITY : 0.1 MAX. (CONTACT AND SOLDER PEG)
- DATE CODE MARK : YY/MM/DD/XX XX IS USED TO MARK CONTACT PLATING SPEC.
"05" : FLASH, "15" : 15μ, "30" : 30μ

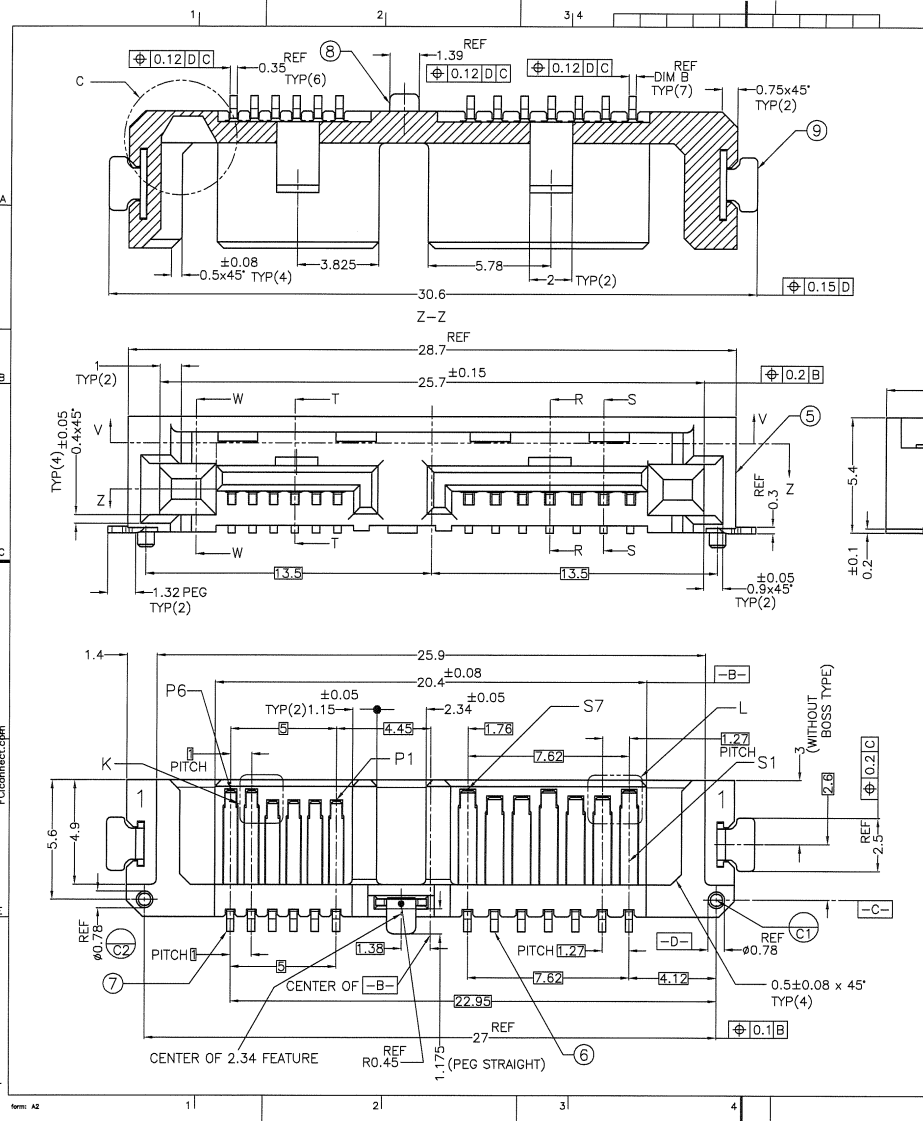
注記

- 材料 : 表参照
- めっき : 表及び型番構成参照
- コプラナリティ : 0.1以下 (端子、金具)
- デイトコード刻印 : YY/MM/DD/XX XXはコンタクトのめっきの種類
"05" : FLASH, "15" : 15μ, "30" : 30μ



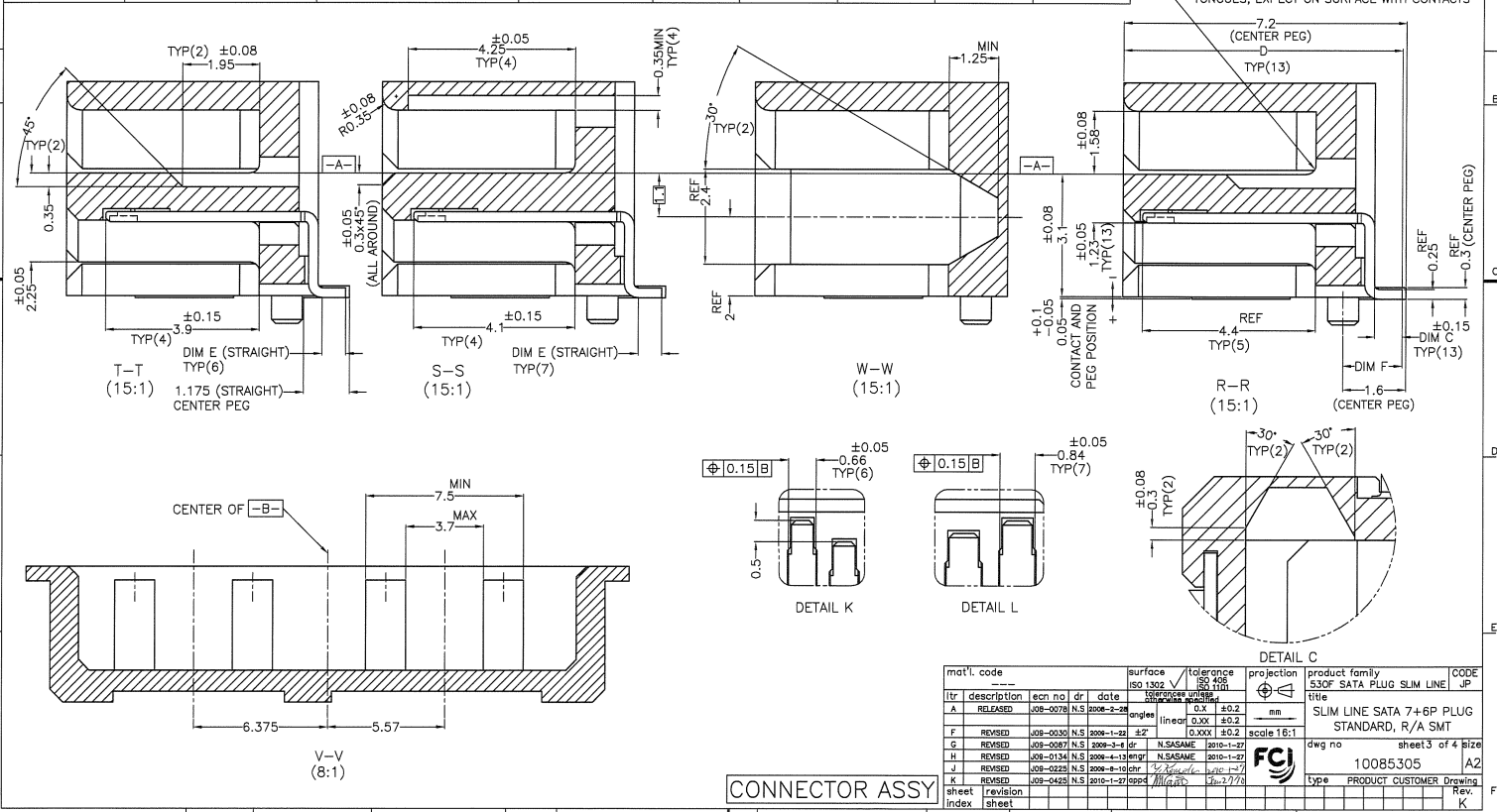
itr	description	ecn	no	dr	date	surface	iso 1302	tolerance	iso 408	projection	product family	CODE
A	RELEASED	009-0078	N.S	2008-2-26				tolerance	mm	mm	530F SATA PLUG SLIM LINE	JP
F	REVISED	009-0030	N.S	2008-1-21	±2			0.0XX	±0.2	mm	STANDARD, R/A SMT	
G	REVISED	009-0087	N.S	2008-3-11	gr	N.SASAME	2010-1-27			mm		
H	REVISED	009-0134	N.S	2008-4-13	engr	N.SASAME	2010-1-27			mm		
J	REVISED	009-0228	N.S	2008-10-01	gr	N.SASAME	2010-1-27			mm		
K	REVISED	009-2428	N.S	2010-1-27	99pd	100%	2010-1-27			mm		

PDM: Rev:K STATUS: Released Printed: Mar 24, 2010



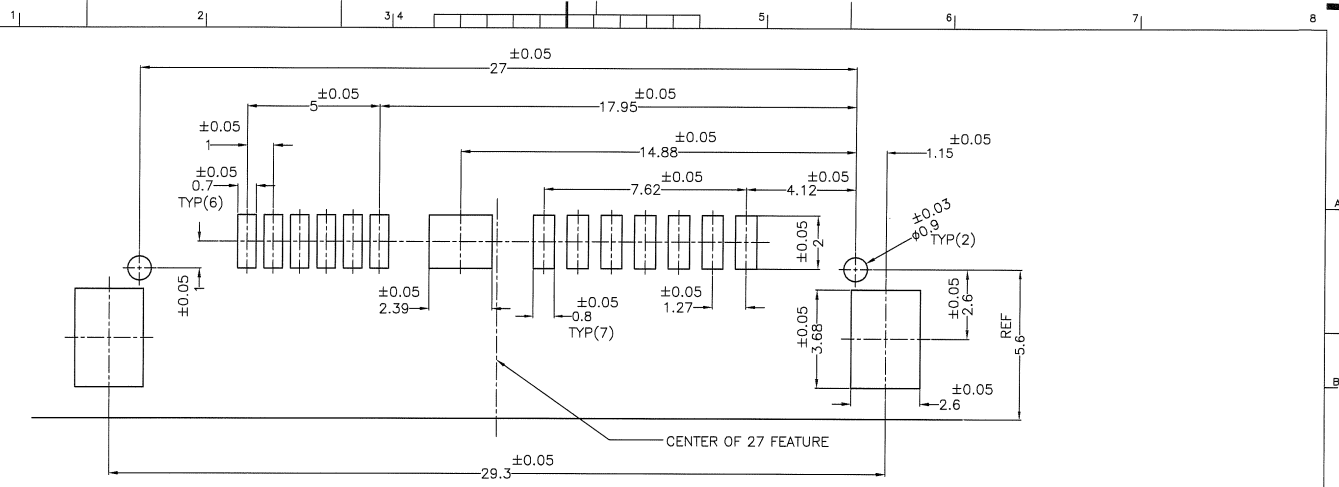
Copyright FCJ FCIconnect.com

PRODUCT NO.	CONTACT AREA PLATING	SOLDERING AREA PLATING	HSG BOSS HEIGHT (DIM A)	TAIL WIDTH (DIM B)	TAIL LENGTH (DIM C)	TAIL LENGTH (DIM D)	TAIL LENGTH (DIM E)	TAIL LENGTH (DIM F)
10085305-0010ALF	GOLD FLASH 0.05um[2u"] MIN	1.91um [75u"] MIN. 100% TIN	1.0mm	0.4mm	1.0mm	7.4mm	0.9mm	1.8mm
10085305-0101ALF	GOLD FLASH 0.05um[2u"] MIN	1.91um [75u"] MIN. 100% TIN	0.7mm	0.35mm	0.7mm	7.1mm	0.6mm	1.5mm
10085305-0901ALF	GOLD FLASH 0.05um[2u"] MIN	1.91um [75u"] MIN. 100% TIN	----	0.35mm	0.7mm	7.1mm	0.6mm	1.5mm
10085305-0110ALF	GOLD FLASH 0.05um[2u"] MIN	1.91um [75u"] MIN. 100% TIN	0.7mm	0.4mm	1.0mm	7.4mm	0.9mm	1.8mm
10085305-2010ALF	GOLD 0.76um[30u"] MIN	1.91um [75u"] MIN. 100% TIN	1.0mm	0.4mm	1.0mm	7.4mm	0.9mm	1.8mm
10085305-2110ALF	GOLD 0.76um[30u"] MIN	1.91um [75u"] MIN. 100% TIN	0.7mm	0.4mm	1.0mm	7.4mm	0.9mm	1.8mm
10085305-2101ALF	GOLD 0.76um[30u"] MIN	1.91um [75u"] MIN. 100% TIN	0.7mm	0.35mm	0.7mm	7.1mm	0.6mm	1.5mm
10085305-4100ALF	GOLD 0.76um[30u"] MIN	GOLD FLASH 0.05um[2u"] MIN	0.7mm	0.35mm	1.0mm	7.4mm	0.9mm	1.8mm

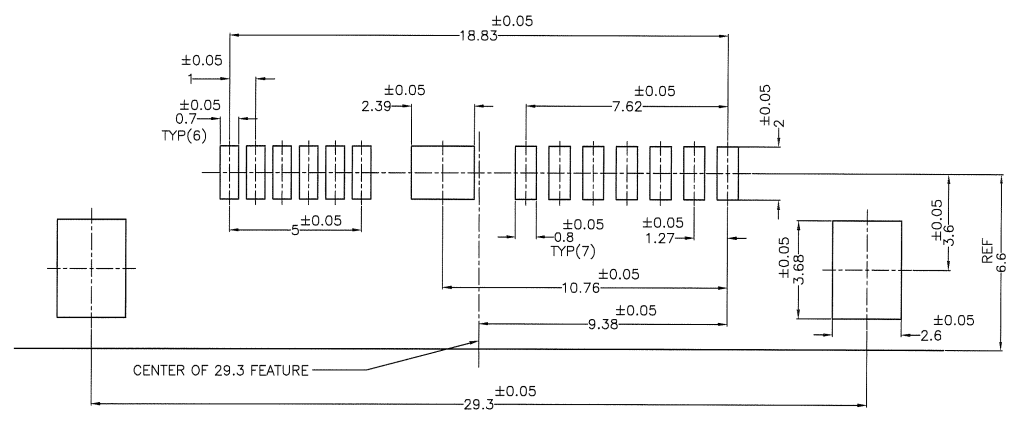


itr	description	ecr no	dr	date	surface	tolerance	projection	product family	CODE
A	RELEASED	008-0078	NS	2008-2-28	iso 1302	iso 408	1st angle	530F SATA PLUG SLIM LINE	JP
F	REVISED	008-0030	NS	2008-1-28	linear	0.2X	mm	SLIM LINE SATA 7+6P PLUG STANDARD, R/A SMT	
G	REVISED	008-0087	NS	2008-3-8	dr	0.2XX	mm	10085305	A2
H	REVISED	008-0134	NS	2008-4-13	dr	0.2XX	mm	10085305	A2
J	REVISED	008-0228	NS	2008-8-01	dr	0.2XX	mm	10085305	A2
K	REVISED	008-0428	NS	2010-1-27	dr	0.2XX	mm	10085305	A2

PDM: Rev:K STATUS:Released Printed: Mar 24, 2010



RECOMMENDED PCB PATTERN LAYOUT (WITH BOSS TYPE)



RECOMMENDED PCB PATTERN LAYOUT (WITHOUT BOSS TYPE)

itr	description	ecr no	dr	date	surface	tolerance	projection	product family	CODE
A	RELEASED	108-0078	N.S	2008-2-28	ISO 1302	ISO 408	ISO 1101	530F SATA PLUG SLIM LINE	JP
F	REVISED	109-0030	N.S	2009-1-21	linear	0.XX ±0.2	mm	SLIM LINE SATA 7+6P PLUG STANDARD, R/A SMT	
G	REVISED	109-0087	N.S	2009-3-4	dr	0.0XX ±0.2	scale 10:1		
H	REVISED	109-0134	N.S	2009-4-13	dr	N.SASAME	2010-1-27		
I	REVISED	109-0223	N.S	2009-10-10	dr	N.SASAME	2010-1-27		
K	REVISED	109-0423	N.S	2010-1-27	ppp4	N.A	2010-1-27		
sheet index	revision	sheet							