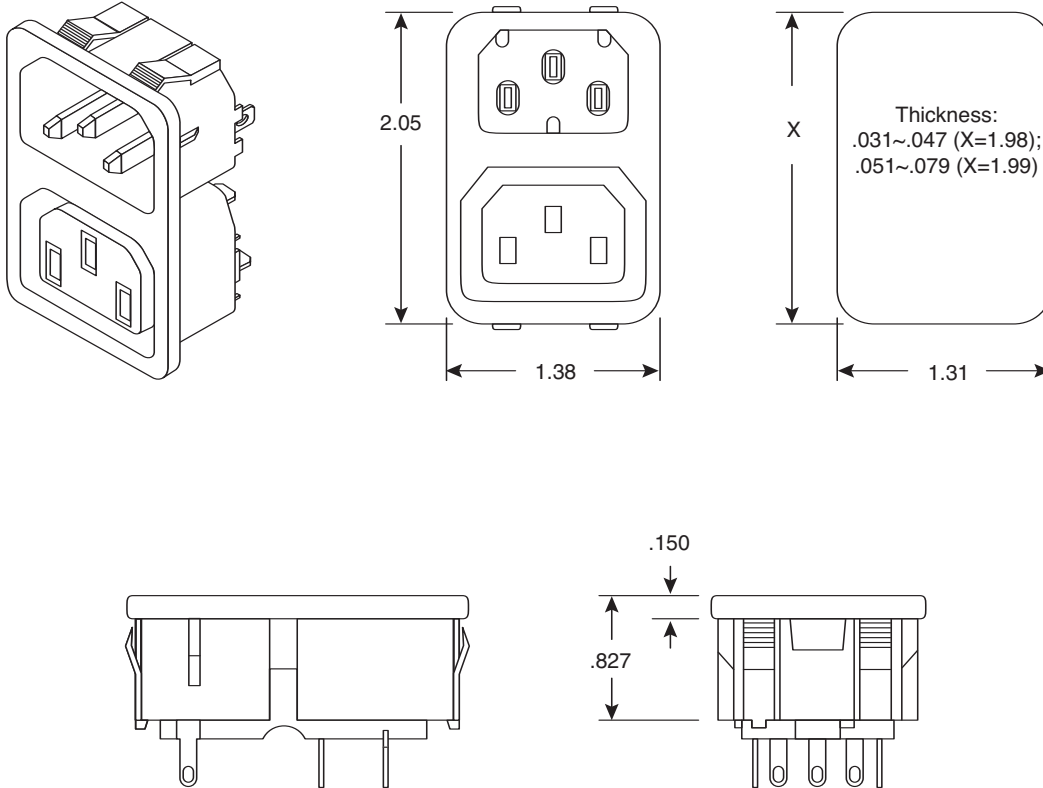


AC Inlet/Outlet

161-0712



AC Inlet /Outlet



Dimensions: In.

SPECIFICATIONS	
Type:	IEC 320 / CEE 22 combination, snap-in mount
Housing:	thermoplastic, nylon 66, flammability classified on request 94-V0 or 94-V2
Terminal:	tin-plated copper alloy, solder tab, .187" faston
Color:	black
Rating:	10A 250VAC
Insulation resistance:	>100MΩ @ 500VDC
Dielectric strength:	>2000VAC (between terminals) for 1 minute @ 0.5mA
Operating temperature:	-25°C~+85°C (max.)
Solderability:	solder bath -235°C dipping time 3 ± 0.5 seconds
Pull force of terminal:	60 N (0.12ks)

Date Last Revised: 4-13-05

Available from Mouser Electronics
1-800-346-6873
www.mouser.com

KC- 300456

161-0712