

A durable three pin, fused panel plug, with 6.5mm solder lug / spade terminals. Can be mounted above the panel on any thickness of material or below the panel for up to 2.5mm thick material. Suitable for use on measuring instruments, SMPS, ITE and OA.

For panel cut-out, use punch number 074-0040 (pull through) or 074-0010 (punch and die).

Weight approximately 10g.

Approvals TUV and NRTL/C

MATERIAL

HOUSING : Nylon 66, black
UL 94 V0

CONTACTS : Brass, nickel plate

ELECTRICAL

Current Rating : 10 Amps

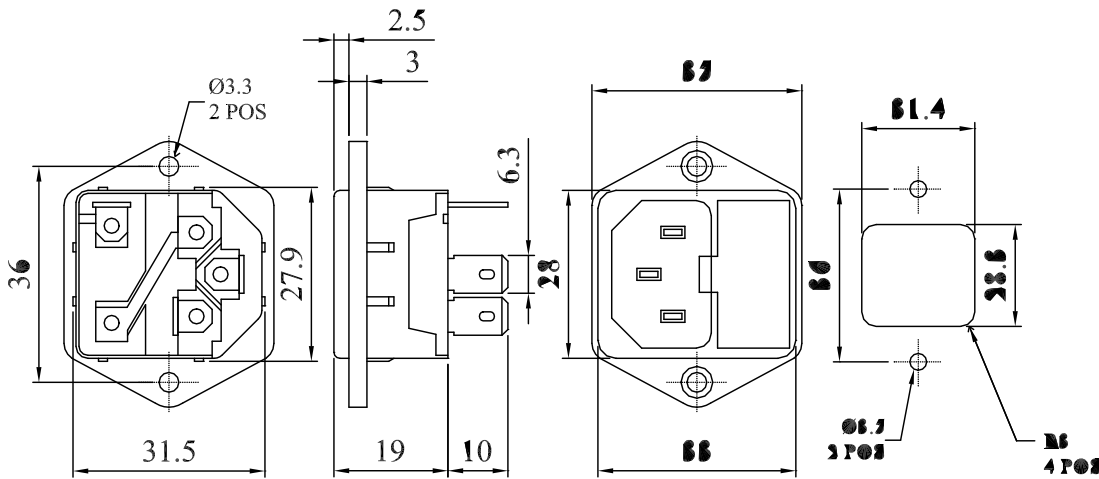
Voltage Rating : 250 V_{ac}

Insulation Resistance : 1000 MΩ @ 500 V_{ac}

Withstanding Voltage : 2000 V_{ac} for 1 minute
between line to gnd.

Temperature Range : -20°C to +30°C

Dimensions



CONVERTED FROM PS0901 ISS2 (22.06.98) IN JAN 2003

DrgNo 522-0010

TITLE FUSED MAINS CONNECTOR - PANEL PLUG

ALL DIMENSIONS IN MM
ANGLES IN DECIMAL DEGREES



ISSUE 3

GENERAL SPECIFICATION
FOR 522-0010

CUSTOMER

FILTER REF

Aprvd Date 19.02.08

Aprvd By MC

Drwn by BS

Scale: NTS

Sheet 1/1

© DEM Manufacturing Limited E-Mail sales@dem.com, Website www.dem-uk.com. Phone +44 1724 273200 Fax +44 1724 280353