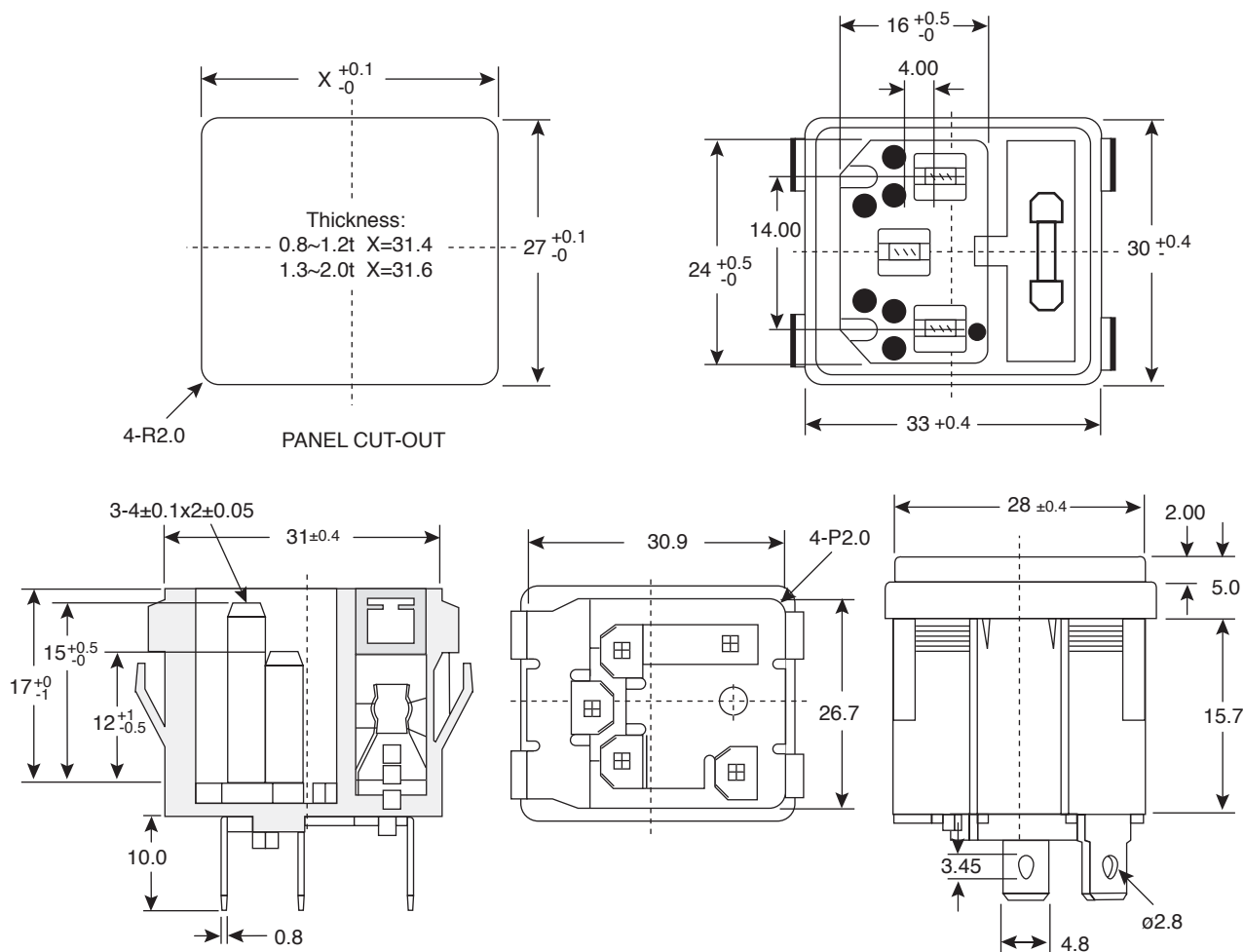


# AC Power Inlet

161-0717-1-187-E

**KOBI**CONN

AC Power Inlet



Dimensions: mm

SPECIFICATIONS	
<b>Housing:</b>	Nylon 66 Flammability, UL 94V-0
<b>Terminal:</b>	Copper Alloy, Tin Plated
<b>Rating:</b>	10A 250V~
<b>Insulation Resistance:</b>	100MΩ Min., at 500 V DC
<b>Electric Strength:</b>	AC 2,000 V for 1 Minute
RoHS Compliant	

Date Last Revised: 12-11-06

Available from Mouser Electronics  
1-800-346-6873  
www.mouser.com

KC- 301083

161-0717-1-187-E