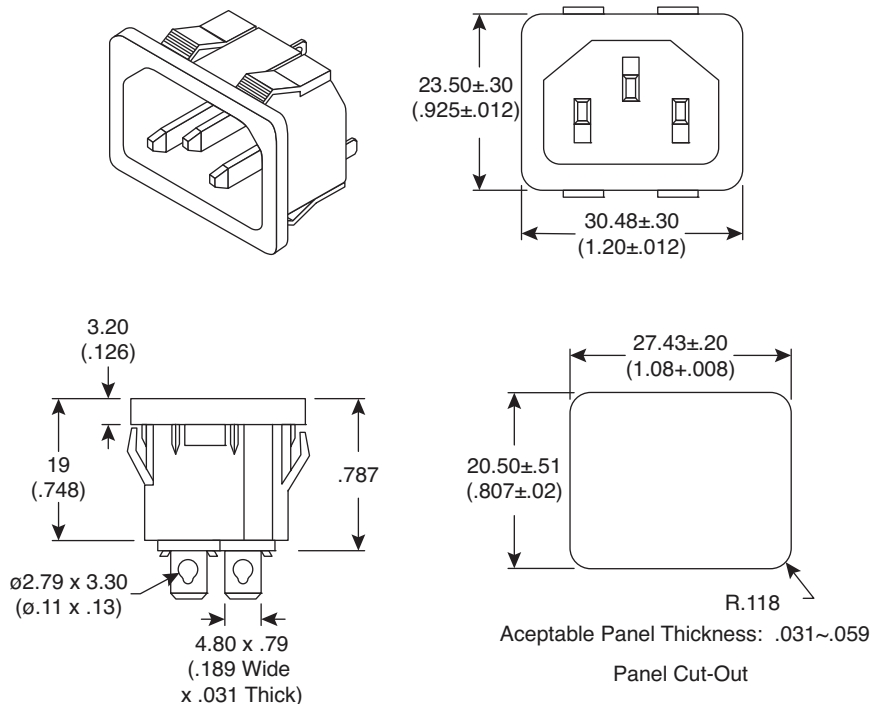


AC Inlet

161-0711-PQA-E



AC Inlet



Dimensions: mm (in.)

SPECIFICATIONS	
Type:	snap-in AC inlet
Rating:	15A / 250 VAC
Insulation resistance:	100MΩ @ 500VDC
Dielectric strength(between terminals):	2000VAC for 1 minute
Operating temperature:	-25°C to +85°C
Solder temperature:	Wave Soldering: Soldering Temperature $250 \pm 5^\circ\text{C}$, duration 3~5 sec. Manual Soldering: Soldering Temperature $380 \pm 5^\circ\text{C}$, duration 2~3 sec.
Resistance to Heat	Withstood a temperature of $100 \pm 2^\circ\text{C}$ for 1 hour
Resistance to Solder Heat	Soldering temperature $260 \pm 5^\circ\text{C}$, duration 2~3 sec.
Housing:	Nylon 66, black
Terminal:	tin plated copper alloy
RoHS Compliant	

Date Last Revised: 09/15/08

Available from Mouser Electronics
1-800-346-6873 / www.mouser.com

KC- 301140

Specifications are subject to change without notice. No liability or warranty implied by this information. Environmental compliance based on producer documentation.

161-0711-PQA-E