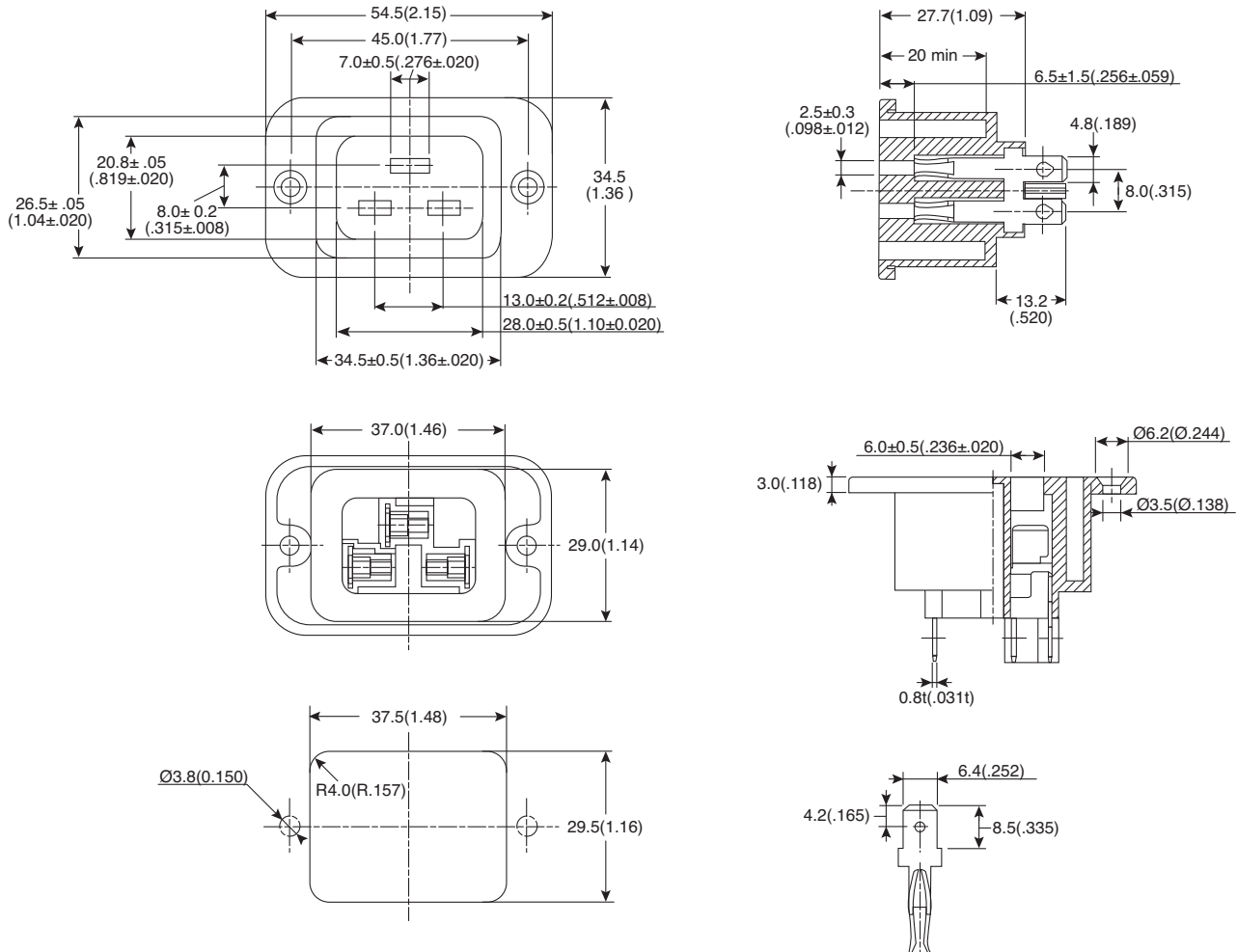


IEC 60320 C20 Inlet

161-R30602-E



IEC 60320 C20 Inlet



Dimensions: mm (in.)

SPECIFICATIONS	
Insulation Resistance:	Over 100MΩ at 500V DC
Dielectric Strength:	2000V AC 1 minute
Body Material:	Thermoplastic 94V-0~2
RoHS Compliant	

Date Last Revised: 8-25-08

Available from Mouser Electronics
1-800-346-6873 / www.mouser.com

KC-301225

161-R30602-E

Specifications are subject to change without notice. No liability or warranty implied by this information. Environmental compliance based on producer documentation.