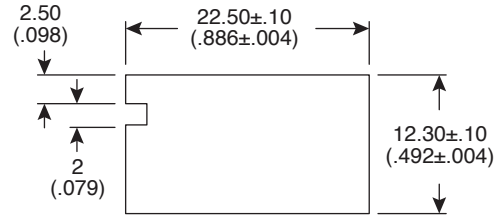
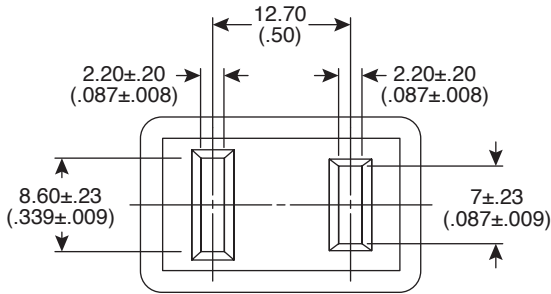


AC Receptacle

161-0715-E

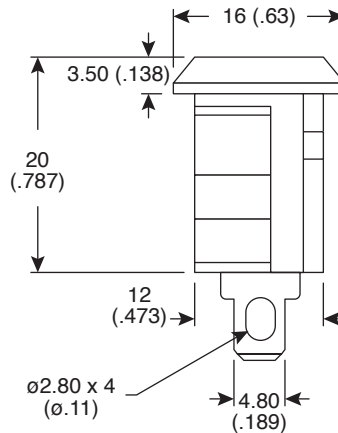
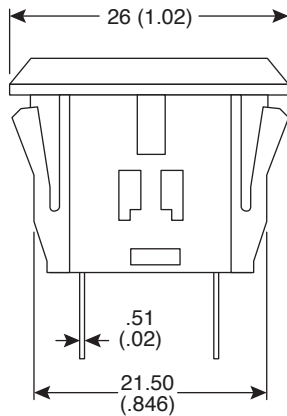


AC Receptacle



Panel Cut-out

Acceptable Panel Thickness: .031~.059(.80~1.50)



Dimensions: mm (in.)

SPECIFICATIONS	
Type:	Snap-In Mount, Polarized, 2 Cond.
Rating:	15A/125VAC
Insulation Resistance:	100MΩ @ 500VDC
Dielectric Strength:	2000VAC @ .5mA for 1 Minute
Operating Temperature:	-25°C ~ +85°C
Plug Withdrawal Force:	3lbf (1.36kgf) ~ 15lbf (6.8kgf)
Housing:	Nylon 66
Terminals:	Tin Plated Copper Alloy
Color:	Black
RoHS Compliant	

Date Last Revised: 03/21/07

161-0715-E

Available from Mouser Electronics
1-800-346-6873 / www.mouser.com

KC-301137

Specifications are subject to change without notice. No liability or warranty implied by this information. Environmental compliance based on producer documentation.