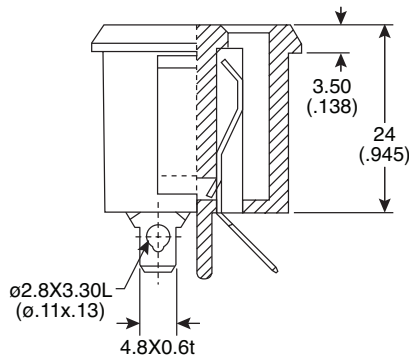
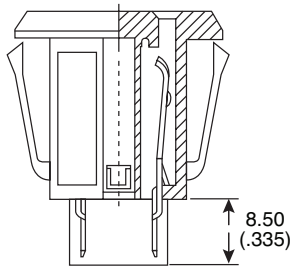
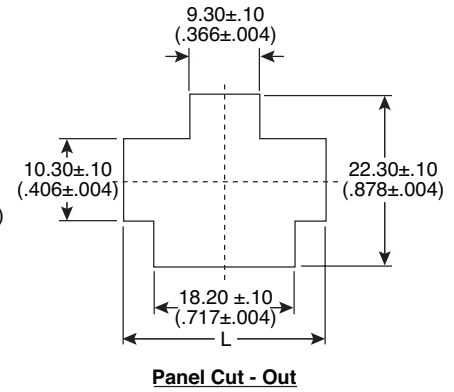
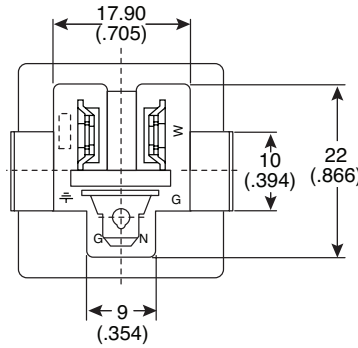
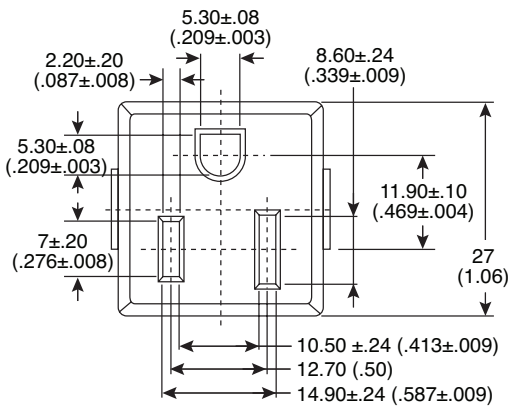


AC Receptacle

161-0709-E



AC Receptacle



Dimensions: mm	
Panel Thickness	L
0.8	24±0.1
1.0	24.6±0.1
1.2	25.2±0.1
1.6	26.2±0.1

Dimensions: mm (in.)

SPECIFICATIONS	
Rating:	15A/125V AC
Insulation resistance:	100 MΩ min, at 500 VDC
Dielectric strength:	2,000 VAC for 1 minute
RoHS Compliant	

MATERIALS	
Housing:	Nylon 66 flammability UL 94V-0
Terminal:	Copper alloy, tin plated

Date Last Revised: 2-13-07

Available from Mouser Electronics
1-800-346-6873
www.mouser.com

KC- 300991

161-0709-E