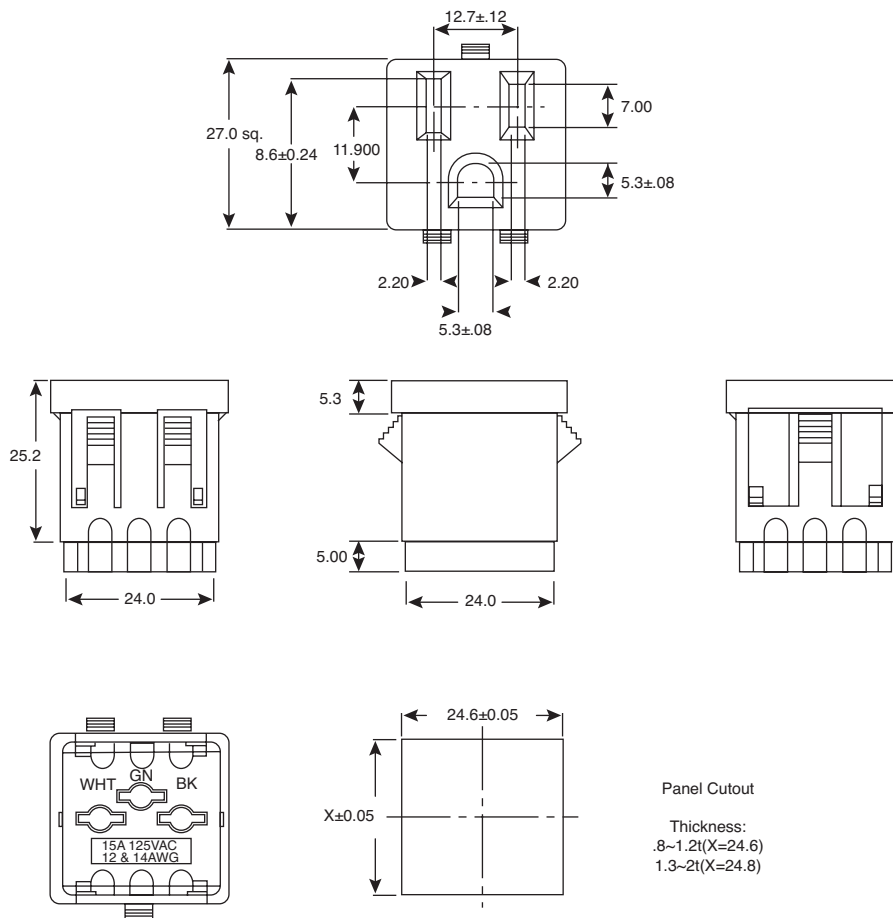


AC Receptacle

161-0710-12-E



AC Receptacle



Dimensions: mm

SPECIFICATIONS	
Housing:	Nylon 66, UL 94V-0
Terminal:	Copper Alloy, Tin Plated
Rating:	15A, 125V
Insulation resistance	>100MΩ 500VDC
Electric strength:	AC 2000V for 1 min.
RoHS Compliant	

Date Last Revised: 10-05-06

Available from Mouser Electronics
1-800-346-6873
www.mouser.com

KC-301075

161-0710-12-E