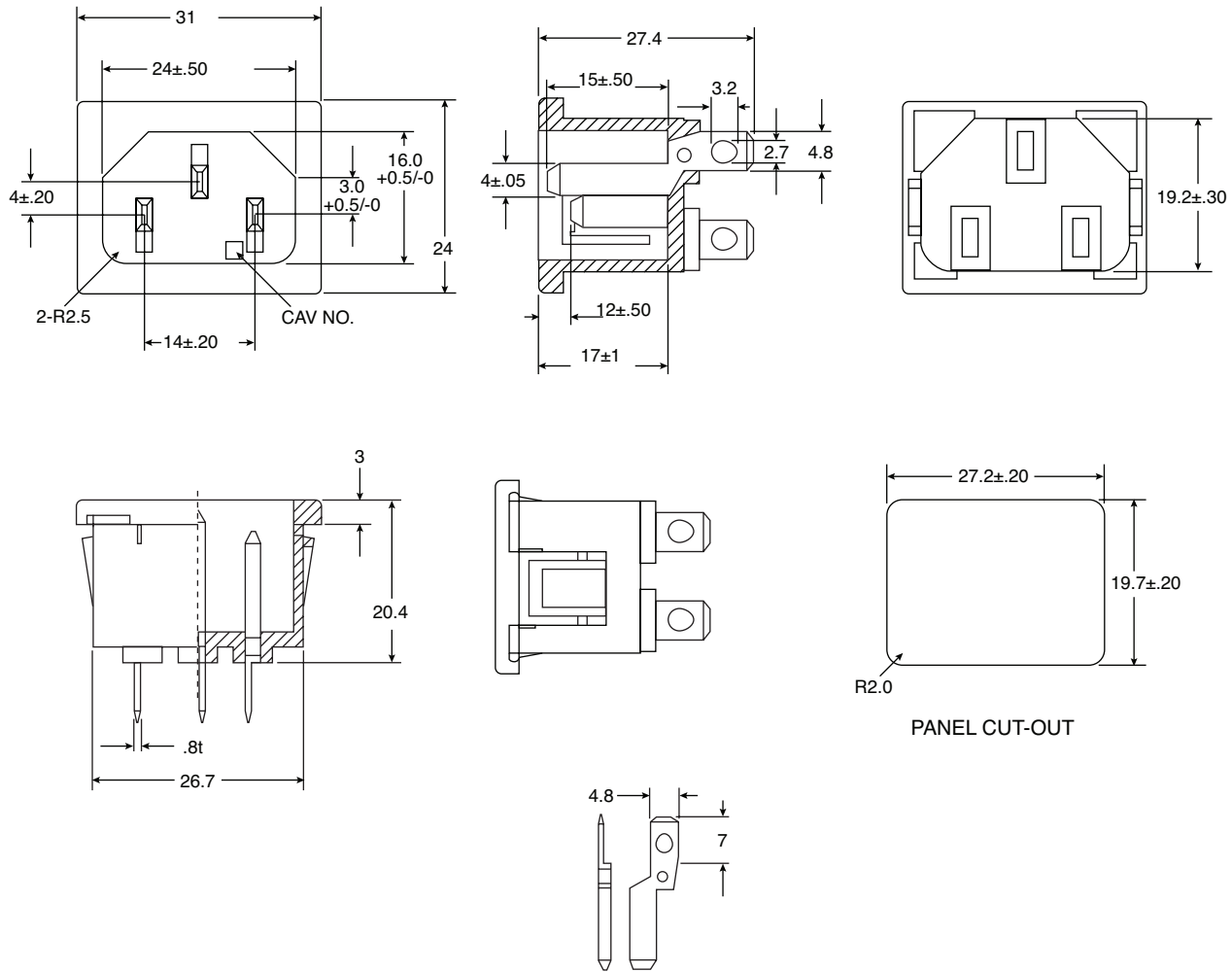


IEC 60320 C14 Inlet

161-R301SNC04-E



IEC 60320 C14 Inlet



Dimensions: mm

Materials	
Body:	Nylon 66

Tolerance
X.XX±0.1
XX.XX±0.2
XXX.XX±0.3

SPECIFICATIONS	
Rating:	10A, 250VAC
Insulation Resistance:	Over 100MΩ at 500VDC
Dielectric Strength:	3000VAC for 1 minute
RoHS Compliant	

Date Last Revised: 8-21-07

Available from Mouser Electronics
1-800-346-6873 / www.mouser.com

KC- 301187

161-R301SNC04-E

Specifications are subject to change without notice. No liability or warranty implied by this information. Environmental compliance based on producer documentation.