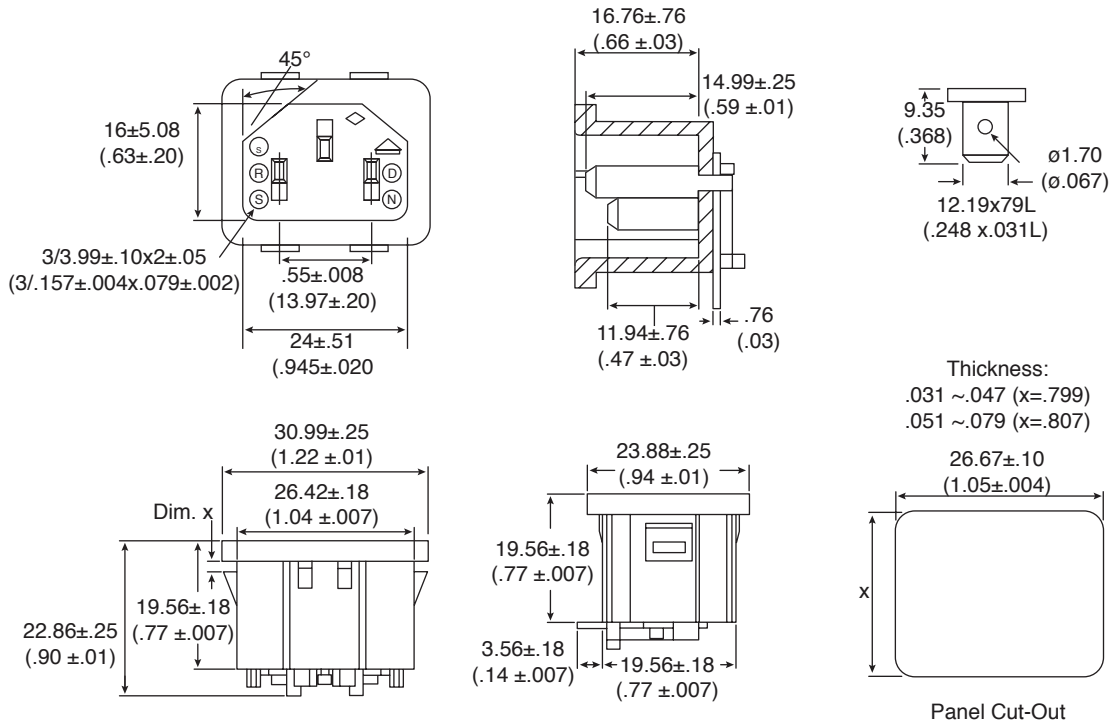
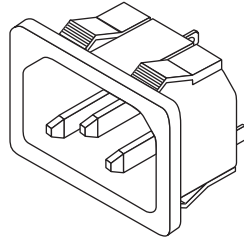


# Power Inlet

161-0711-250-E



Power Inlet



Dimensions: mm (in.)

MATERIALS	
<b>Housing:</b>	Thermoplastic, nylon 6
<b>Terminal:</b>	Copper alloy, tin plated
<b>Color:</b>	Black

ELECTRICAL SPECIFICATIONS	
<b>Insulation Resistance:</b>	>100MΩ @ 500VDC
<b>Dielectric Strength:</b>	>2000VAC (between terminals 1 minute @ 0.5mA)
<b>Operating Temperature:</b>	-25°C to +85°C (Max.)
<b>Pull Force of Terminal:</b>	60N (6.12kg)
<b>Rating:</b>	15A / 250VAC North America, 10A / 250VAC Europe
RoHS Compliant	

Date Last Revised: 03/21/07

Available from Mouser Electronics  
1-800-346-6873 / www.mouser.com

KC- 301136

Specifications are subject to change without notice. No liability or warranty implied by this information. Environmental compliance based on producer documentation.

161-0711-250-E