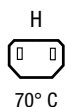
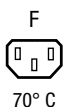
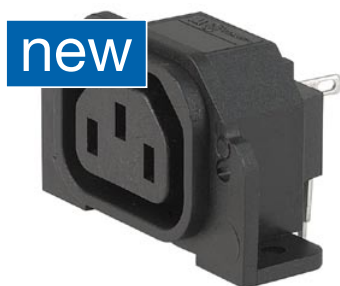


IEC Appliance Outlet F, Screw-on Mounting, Rear Side, PCB-/Solder Terminal

**Description**

- Panel Mount:
- Screw-on mounting from rear-side
- Connector, Pin temperature 70 °C, protection class I or II
- For PCB mounting

Approvals

- VDE Certificate Number: -
- UL File Number: -
- CSA File Number: 1896151

Other versions on request

- For protection class II

References

- Substitute for type [P675/PC](#)
- Alternative: protection class II version

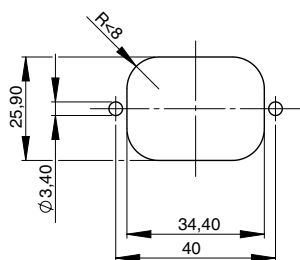
Weblinks

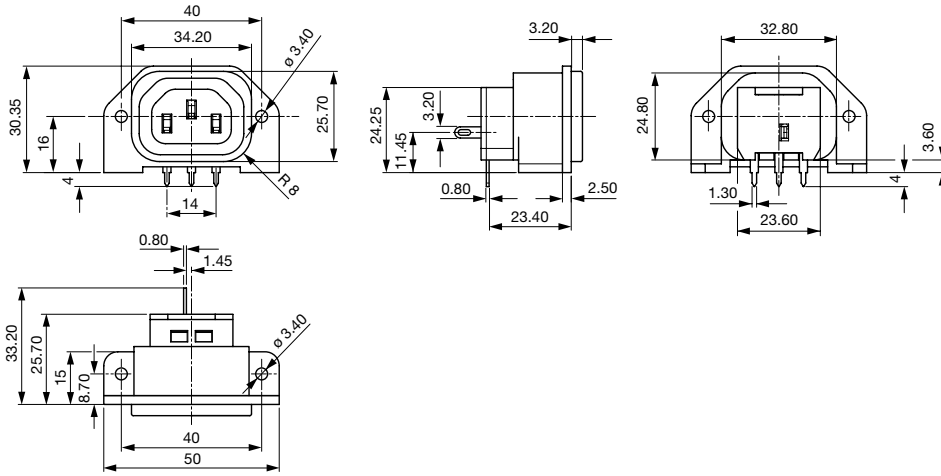
[General Product Information](#), [Approvals](#), [RoHS](#), [CHINA-RoHS](#), [Mating Connectors](#), [e-Store](#), [SCHURTER-Stock-Check](#), [Distributor-Stock-Check](#), [Accessories](#)

Technical Data

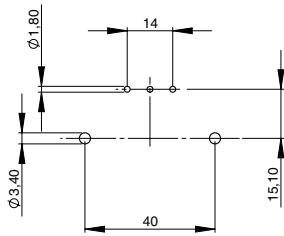
| | |
|---------------------------|--|
| Ratings IEC | 10 A / 250 VAC; 50 Hz |
| Ratings UL/CSA | 15 A / 250 VAC; 60 Hz |
| Dielectric Strength | > 4 kVAC between L-N > 2 kVAC between L/N-PE (1 min/50 Hz) |
| Allowable Operation Temp. | -25 °C to 70 °C |
| Degree of Protection | from front side IP 20 acc. to IEC 60529 |
| Protection Class | Suitable for appliances with protection class 1 or 2 acc. to IEC 61140 |
| Terminal | For PCB mounting ; Ground terminal: Solder terminal straight |
| Material: Housing | PA6, black / grey / white, UL 94V-0 |

| | |
|------------------|---|
| Appliance Outlet | F acc. to IEC/EN 60320-2-2, UL 498, CSA C22.2 no. 42 (for cold conditions) pin-temperature 70 °C, 10 A, Protection Class 1 or 2 |
|------------------|---|

Dimensions



Drilling diagrams



Config. Code

5001 - H - A B C 0 - D - E O

The characters are placeholders for the correspondingly keys of selections from the key tables.

5001 - H - A B C 0 - D - E O = Type

| Type | Configuration key |
|--------------------|-------------------|
| protection class 2 | B |
| protection class 1 | X |

5001 - H - A B C 0 - D - E O = Terminals

| Terminal L | Configuration key |
|---|-------------------|
| PCB-terminal (standard)  | 4 |

5001 - H - A B C 0 - D - E O = Terminals

| Terminal N | Configuration key |
|-------------------------|-------------------|
| PCB-terminal (standard) | 4 |

Symbols similar as in table A

5001 - H - A B C 0 - D - E O = Terminals

| Terminal Ground | Configuration key |
|---------------------|-------------------|
| without terminal | 0 |
| PCB-terminal (long) | 6 |

Symbols similar as in table A

5001 - H - A B C 0 - D - E O = Color

| Color | Configuration key |
|----------------------|-------------------|
| jet black; RAL9005 | A |
| silver grey; RAL7001 | B |
| pure white; RAL9010 | D |

5001 - H - A B C 0 - D - E O = Style

| Style | Configuration key |
|--|-------------------|
| flange with through holes | 2 |
| flange with through holes (special type) | 7 |

5001 - H - A B C 0 - D - E O = Features

| Features | Configuration key |
|----------|-------------------|
| | |

Variants

| Config. Code | Description | Order Number |
|-----------------|--|--------------|
| 5001-X-4460-A-2 | 5001, IEC Connector F, 70°C1 or 2, L: PCB-terminal (standard), N: PCB-terminal (standard), ground: PCB-terminal (long), color: jet black; RAL9005, design: flange with through holes | 6182.0033 |

The listed variants should be available from stock. Other versions on request www.schurter.com/contact

Packaging unit 50 Pcs

Mating Inlets/Plugs

Category / Description

[Interconnection Cord Overview complete](#)

| | |
|--|------|
| Interconnection Cord with IEC Plug E, Angled | 0607 |
| Interconnection Cord with IEC Plug E, Angled | 0608 |
| Interconnection Cord with IEC Plug E, Straight | 0609 |
| Interconnection Cord with IEC Plug G, Angled | 607B |
| Interconnection Cord with IEC Plug G, Angled | 608B |
| Interconnection Cord further types to 5001 | ... |

PlugOverview complete



| | |
|---|------|
| IEC Plug E, Cord Connector (Rewireable), Straight, max. cable Diameter 8.5 mm | 4732 |
| IEC Plug E, Cord Connector (Rewireable), Angled, max. Cable Diameter 10 mm | 4733 |
| IEC Plug E, Cord Connector (Rewireable), Straight, max. Cable Diameter 10 mm | 4735 |
| IEC Plug E, Cord Connector (Rewireable), Angled, max. Cable Diameter 10 mm | 4736 |
| IEC Plug E, Cord Connector (Rewireable), Straight | 9009 |

[Plugfurther types to5001](#)

...